



**JIANLIAN HOMECARE PRODUCTS CO., LTD**

**ADDRESS:** DALI XIEBIAN INDUSTRIAL PARK,  
NANHAI DISTRICT, FOSHAN CITY, GUANGDONG  
PROVINCE, P.R. CHINA

**TEL:** 0086 757 85572413 / 0086 757 85563418

**FAX:** 0086 757 85565903

**WEBSITE:** [www.gdjianlian.com](http://www.gdjianlian.com)

**EMAIL:** [gdjianlian@gdjianlian.com](mailto:gdjianlian@gdjianlian.com)

**BUSINESS LINE:** 0086 13927793133



**2024-2025**

**WHEELCHAIR COMMUNE ROLLATOR  
WALKING STICK HOSPITAL BED...**



**SINCE 1993**



# OEM,ODM CUSTOMIZED R&D

## CERTIFICATES

CE FDA



## COMPANY PROFILE

Firstly established in 1993, Jianlian Homecare Products CO., Ltd [at Xiebian, Dali Town, Nanhai, Foshan, Guangdong, China] is a professional manufacturer and exporter specializing in homecare rehabilitation products. The company is sitting on 2.5 acre of land with 9,000 square meters building area. There are over 200 employees including 20 managing staff and 30 technical staff. Jianlian has a strong team for new product development and significant manufacturing capacity.

The company has entered into homecare rehabilitation industry since 2008, and developed 9 categories of products consisting of over 200 different models, including steel wheelchair, aluminum wheelchair, commode chairs, shower benches, walking frame, crutches and homecare medical bed. These products have been widely sold in over 30 countries throughout the world. Our reputation has been further strengthened by a rigorous quality assurance system that is embedded into the entire manufacturing process to ensure all finished products meet our quality standards. Our company has been certified by the CE, and ISO 13485. In 2012, Jianlian Homecare commenced its sales in the Chinese domestic market and has been providing quality products and service to the clients. Furthermore, we designed customized products for people who have special needs, such as national disable persons' federation, welfare fund and retirement village.

"The higher quality of the products, the more punctual delivery and comprehensive after-sale-service" is the characteristic of our company.

Jianlian Homecare is an expert for your personal homecare products, and we sincerely look forward to meeting you.

# CONTENTS



1. RAW MATERIAL



2. CUTTING



3. PUNCHING



4. WELDING



5. ASSEMBLING



6. PACKING

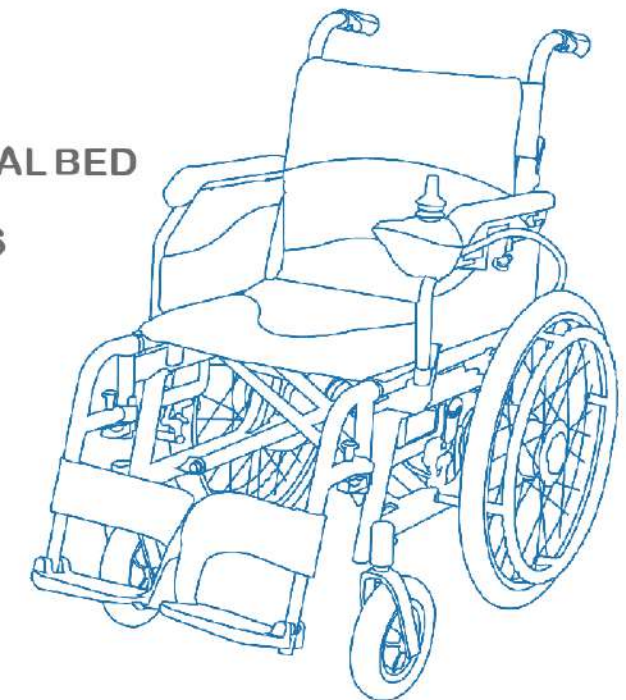


7. QC



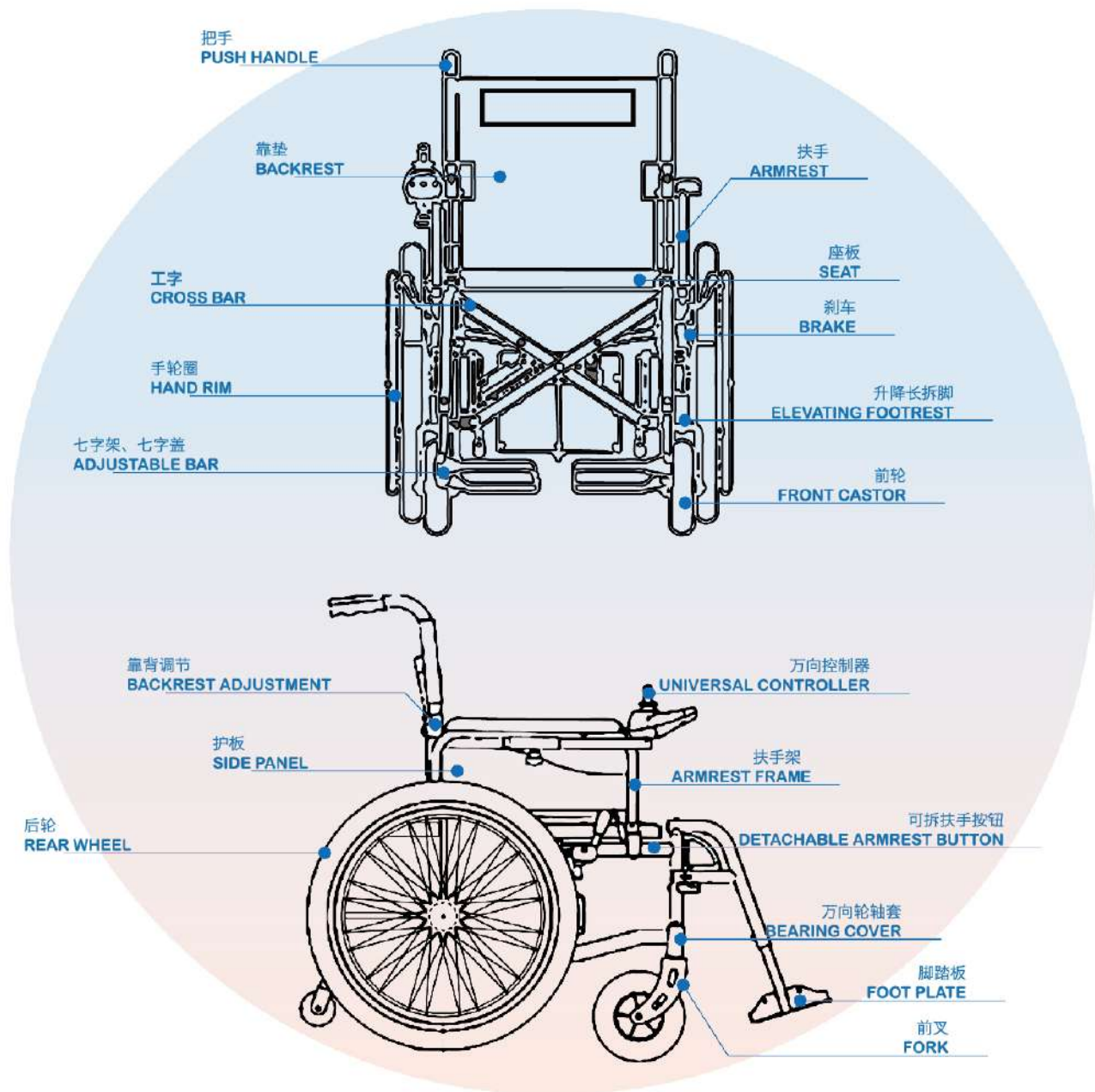
8. SHIPPING

02~10	ALUMINIUM WHEELCHAIR
11~12	LEISURE & SPORTS WHEELCHAIR SERIES
13~18	ELECTRIC WHEELCHAIR
19~24	STEEL WHEELCHAIR
25	CEREBRAL PALSY WHEELCHAIR
26~27	COMMUNE WHEELCHAIR
28	TRANSFER CHAIR
29~36	COMMUNE
37~42	BATHROOM SAFETY SERIES
43~48	ROLLATOR
49~54	WALKER
55~61	WALKING STICK
62	BEDSIDE RAIL
63~70	TREATMENT BED & HOSPITAL BED
71~79	MEDICAL CARE PRODUCTS
80	COLOUR SAMPLE
81~84	SPARE PARTS



# WHEELCHAIR FUNCTION PICTURE

## ALUMINUM WHEELCHAIR



**JL907LABJ**

ALUMINUM FRAME, FLIP-UP ARMREST, DETACHABLE FOOTREST, SOLID CASTOR, PNEUMATIC MAG REAR WHEEL WITH UNITED BRAKE, DROP BACK HANDLE



**JL908LJ**

ALUMINUM FRAME, FLIP-UP ARMREST, DETACHABLE FOOTREST, SOLID CASTOR, PNEUMATIC REAR WHEEL, WITH UNITED BRAKE



**JL953LQ**

ALUMINUM CHAIR FRAME, FLIP-UP DESK ARMREST, DETACHABLE FOOTREST, SOLID CASTOR, QUICK RELEASE PNEUMATIC REAR WHEEL, ANGLE-ADJUSTABLE FOOTPLATE



**JL958LAQ**

ALUMINUM FRAME & CROSS BRACE, FOLDABLE BACKREST, ADJUSTABLE ARMREST, SWING AWAY FOOTREST, PLASTIC BLACK FOOTREST WITH HEEL LOOP, 6" CASTOR & 24" QUICK SPOKE WHEEL

### WHEELCHAIR MODEL FUNCTION CODE

- A: DROP BACK HANDLE
- B: MAG WHEEL
- C: ELEVATING LEGREST
- G: RECLINING HIGH BACK
- H: DRUM BRAKE
- J: UNITED BRAKE
- L: ALUMINUM
- S: STAINLESS STEEL
- X: INCLINED ARMREST
- Y: HARD SEAT CUSHION
- Q: QUICK RELEASE

- (-35): SEAT WIDTH 35cm(14")
- (-41): SEAT WIDTH 41cm(16")
- (-43): SEAT WIDTH 43cm(17")
- (-46): SEAT WIDTH 46cm(18")
- (-51): SEAT WIDTH 51cm(20")
- (-56): SEAT WIDTH 56cm(22")
- (-61): SEAT WIDTH 61cm(24")



MODEL	UNFOLDED WIDTH	FOLDED WIDTH	SEAT WIDTH	TOTAL HEIGHT	SEAT HEIGHT	REAR WHEEL DIA	FRONT WHEEL DIA	TOTAL LENGTH	SEAT DEPTH	BACKREST HEIGHT	WEIGHT CAP(KG)	NW(KG)	GW(KG)	CARTON SIZE (CM)	PCS/CN	20" FCL (PCS)	40" FCL (PCS)
JL907LABJ	61	25	46	92	51	16"	6"	104	41	42	100	14	16	78*28*75	1	170	415
JL908LJ	61	26	46	88	48	22"	6"	104	41	38	100	12	14.8	82*27*88	1	140	345
JL953LQ	66	25	46	90	52	24"	6"	100	40	38	100	14	15.8	80*28*91	1	130	330
JL958LAQ	67	31	45	94	49	24"	6"	98	42	42	100	14.5	16.5	80*35.5*76	1	125	310

# ALUMINUM WHEELCHAIR



**JL955L**

ALUMINUM FRAME, FLIP-UP INCLINED ARMREST, DETACHABLE FOOTREST, SOLID CASTOR, PNEUMATIC REAR WHEEL



**JL957LQ**

ALUMINUM FRAME, FLIP-UP HEIGHT-ADJUSTABLE INCLINED ARMREST, DETACHABLE FOOTREST, SOLID CASTOR, QUICK RELEASE PNEUMATIC REAR WHEEL, WITH CARRYING AND ANTI WHEEL



**JL868LJ**

ALUMINUM FRAME, FIXED INCLINED ARMREST, FIXED FOOTREST, SOLID CASTOR, PNEUMATIC REAR WHEEL UNITED BRAKE



**JL806LB**

ALUMINUM FRAME, FIXED ARMRESTS, FIXED UPTURNED FOOTRESTS, 22 INCH PNEUMATIC MAG REAR WHEEL



**JL950LQ**

ALUMINUM CHAIR FRAME, QUICK RELEASE PU MAG REAR WHEEL, SOLID CASTOR, DETACHABLE FOOTREST, FLIP-UP AND HEIGHT-ADJUSTABLE ARMREST, ANTI-TIPPERS, ANGLE-ADJUSTABLE FOOTPLATE



**JL952LCQ**

ALUMINUM FRAME, ANGLE-ADJUSTABLE FOOTPLATE, QUICK RELEASE PNEUMATIC REAR WHEEL, FLIP-UP AND HEIGHT-ADJUSTABLE ARMREST, PU CASTOR, WITH CARRYING WHEEL, DETACHABLE FOOTREST



**JL807LAJ**

ALUMINUM LIGHT WEIGHT CHAIR FRAME, FIXED ARMREST, FIXED FOOTREST, SOLID CASTOR, PNEUMATIC REAR WHEEL, DROP BACK HANDLE, LOCKING UNITED BRAKE



**JL808L**

ALUMINUM LIGHT WEIGHT CHAIR FRAME, FIXED ARMREST, FIXED FOOTREST, SOLID CASTOR, PNEUMATIC REAR WHEEL

MODEL	UNFOLDED WIDTH	FOLDED WIDTH	SEAT WIDTH	TOTAL HEIGHT	SEAT HEIGHT	REAR WHEEL DIA	FRONT WHEEL DIA	TOTAL LENGTH	SEAT DEPTH	BACKREST HEIGHT	WEIGHT CAP(KG)	NW(KG)	GW(KG)	CARTON SIZE (CM)	PCS/CN	20' FCL (PCS)	40' FCL (PCS)
JL955L	64	28.5	45	88	49	24"	6"	107	42	39	100	16.5	18.5	84.5*29.5*91.5	1	120	295
JL957LQ	64	28.5	45	88	49	24"	6"	107	42	39	100	16.5	18.5	84.5*29.5*91.5	1	120	295
JL950LQ	66	28	46	91	51	24"	6"	100	40	38	100	16.3	19.4	80*34*93	1	110	265
JL952LCQ	66	28	46	91	51	24"	6"	109	40	40	100	17.7	20.5	80*34*93	1	110	265

MODEL	UNFOLDED WIDTH	FOLDED WIDTH	SEAT WIDTH	TOTAL HEIGHT	SEAT HEIGHT	REAR WHEEL DIA	FRONT WHEEL DIA	TOTAL LENGTH	SEAT DEPTH	BACKREST HEIGHT	WEIGHT CAP(KG)	NW(KG)	GW(KG)	CARTON SIZE (CM)	PCS/CN	20' FCL (PCS)	40' FCL (PCS)
JL868LJ	61	23	44	89	49	22"	6"	100	42	39	100	12.5	14.6	99*23*89	1	135	335
JL806LB	56	28	40	89	50	22"	6"	96	42	38	100	11.5	13.5	78.5*33*92	1	115	280
JL807LAJ	61	23	46	92	49	20"	6"	91	42	44	100	11.7	14	82*28*76	1	155	385
JL808L	61	23	46	87	45	24"	6"	95	40	39	100	10.7	12.7	94*28*90	1	115	285

# ALUMINUM WHEELCHAIR



**JL869LX**

ALUMINUM FRAME, FIXED INCLINED ARMREST, FIXED FOOTREST, SOLID CASTOR, SOLID REAR WHEEL



**JL834LAJ**

ALUMINUM FRAME, FIXED ARMREST, FLIP-UP FOOTREST, SOLID CASTOR, SOLID REAR WHEEL WITH UNITED BRAKE, DROP BACK HANDLE



**JL8631LAJ-20**

ALUMINUM FRAME, FIXED ARMREST, ELEVATING FOOTREST, SOLID CASTOR, SOLID REAR WHEEL, STEEL BRAKE, WITH UNITED BRAKE



**JL8631LAJ-12**

ALUMINUM FRAME, FIXED ARMREST, ELEVATING FOOTREST, SOLID CASTOR, SOLID REAR WHEEL, STEEL BRAKE, WITH UNITED BRAKE



**JL839LAJ**

ALUMINUM FRAME, FIXED ARMREST, FIXED FOOTREST, SOLID CASTOR, SOLID REAR WHEEL WITH UNITED BRAKE



**JL838LXAJ**

ALUMINUM FRAME, ALUMINUM POLISH FRAME, FIXED ARMREST, FIXED FOOTREST, DROP BACK HANDLE



**JL8630LAJ-20**

ALUMINUM FRAME, DROP BACK HANDLE, FIXED ARMREST, FLIP-UP FOOTREST, SOLID CASTOR, SOLID REAR WHEEL, WITH UNITED BRAKE



**JL8630LAJ-12**

ALUMINUM WHEELCHAIR WITH FOLDABLE BACKREST, FIXED ARMREST, FOLDABLE FOOTREST, UNITED BRAKE

MODEL	UNFOLDED WIDTH	FOLDED WIDTH	SEAT WIDTH	TOTAL HEIGHT	SEAT HEIGHT	REAR WHEEL DIA	FRONT WHEEL DIA	TOTAL LENGTH	SEAT DEPTH	BACKREST HEIGHT	WEIGHT CAP(KG)	NW(KG)	GW(KG)	CARTON SIZE (CM)	PCS/CN	20" FCL (PCS)	40" FCL (PCS)
JL869LX	61	23	44	89	49	24"	8"	100	42	39	100	12.5	14.6	99*23*89	1	135	330
JL834LAJ	66	29	45	92	49	22"	6"	100	41	39	100	12	13.5	77*30*74.5	1	155	390
JL839LAJ	69	28.5	45	90	50	24"	8"	101	41	39	100	14	16.2	92*29.5*92	1	105	260
JL838LXAJ	61	23	46	87	45	24"	8"	95	40	39	100	10.7	12.7	94*28*90	1	115	285

MODEL	UNFOLDED WIDTH	FOLDED WIDTH	SEAT WIDTH	TOTAL HEIGHT	SEAT HEIGHT	REAR WHEEL DIA	FRONT WHEEL DIA	TOTAL LENGTH	SEAT DEPTH	BACKREST HEIGHT	WEIGHT CAP(KG)	NW(KG)	GW(KG)	CARTON SIZE (CM)	PCS/CN	20" FCL (PCS)	40" FCL (PCS)
JL8631LAJ-20	65	28	46	91	49	20"	6"	102	38	44	100	12.3	14.5	80*30*72	1	155	390
JL8631LAJ-12	61	28	46	91	45.5	12"	6"	96	36	46	100	10.5	12.5	73*29*70	1	185	455
JL8630LAJ-20	65	28	46	91	49	20"	6"	102	38	44	100	12.3	14.5	80*30*72	1	155	390
JL8630LAJ-12	61	28	46	91	45.5	12"	6"	96	36	46	100	10.5	12.5	73*29*70	1	185	455

# ALUMINUM WHEELCHAIR



**JL8632LAJ - 46**

ALUMINUM FRAME, FIXED ARMREST, FLIP-UP FOOTREST, SOLID CASTOR, SOLID REAR WHEEL WITH UNITED BRAKE, FOLDABLE HANDLE TUBE



**JL976LABJ**

ALUMINUM FRAME, FIXED ARMREST, DETACHABLE FOOTREST, SOLID CASTOR, SOLID REAR WHEEL WITH UNITED BRAKE, FOLDABLE HANDLE TUBE



**JL9006L**

ALUMINUM FRAME, FLIP-UP ARMREST, FLIP-UP FOOTREST, SOLID CASTOR, PNEUMATIC REAR WHEEL, WITH UNITED BRAKE



**JL9007L**

ALUMINUM FRAME, FLIP-UP ARMREST, ELEVATING FOOTREST, RUBBER CASTOR, RUBBER REAR WHEEL, STEEL BRAKE, WITH UNITED BREKE



**JL832LABJ**

ALUMINUM FRAME, FIXED ARMREST, FLIP-UP FOOTREST SOLID CASTOR, PNEUMATIC MAG REAR WHEEL, DROP BACK HANDLE, WITH UNITED BRAKE



**JL879LAJ**

ALUMINUM LIGHT WEIGHT CHAIR FRAME, FIXED ARMREST, FLIP UP FOOTREST, SOLD CASTOR ,PNEUMATIC REAR WHEEL, DROP BACK HANDLE, WITH UNITED BRAKE.



**JL9008L**

ALUMINUM FRAME, FLIP-UP ARMREST, ELEVATING FOOTREST, RUBBER CASTOR, RUBBER REAR WHEEL, STEEL BRAKE, WITH UNITED BREKE



**JL9009L**

ALUMINUM FRAME, FLIP-UP ARMREST, ELEVATING FOOTREST, RUBBER CASTOR, RUBBER REAR WHEEL, STEEL BRAKE, WITH UNITED BREKE

MODEL	UNFOLDED WIDTH	FOLDED WIDTH	SEAT WIDTH	TOTAL HEIGHT	SEAT HEIGHT	REAR WHEEL DIA	FRONT WHEEL DIA	TOTAL LENGTH	SEAT DEPTH	BACKREST HEIGHT	WEIGHT CAP(KG)	NW(KG)	GW(KG)	CARTON SIZE (CM)	PCS/CN	20" FCL (PCS)	40" FCL (PCS)
JL8632LAJ-46	63	34	46	94	45	20"	6"	95	39	44	100	10	11.6	74*34*69.5	1	150	380
JL976LABJ	57	24	42	98.5	54	8"	8"	98	43	37	100	9.6	11.6	62*25*83	1	160	390
JL832LABJ	64	25	45	91	50	12"	6"	89	43	40	100	10.5	12.5	65*26*77	1	210	520
JL879LAJ	65	-	46	87	49	14"	7"	-	-	-	100	10.3	12.5	72*30*72	1	175	425

MODEL	UNFOLDED WIDTH	FOLDED WIDTH	SEAT WIDTH	TOTAL HEIGHT	SEAT HEIGHT	REAR WHEEL DIA	FRONT WHEEL DIA	TOTAL LENGTH	SEAT DEPTH	BACKREST HEIGHT	WEIGHT CAP(KG)	NW(KG)	GW(KG)	CARTON SIZE (CM)	PCS/CN	20" FCL (PCS)	40" FCL (PCS)
JL9006L	56.5	38	41	83	46.5	12"	6"	88	43.5	36.5	100	9.6	11.3	83.5*38*56.5	1	155	375
JL9007L	47.5	29	40	88	48	8"	6"	75	40	38	100	7	9.8	48*29*75	1	260	650
JL9008L	54	32	39	89	52	12"	6"	81	37	32	100	6.8	9.3	59*29*82	1	240	600
JL9009L	54	32	39	89	52	12"	6"	81	37	32	100	7.9	10	55*33*85	1	235	620

# ALUMINUM WHEELCHAIR



**JL9004L**

TRANSIT WHEELCHAIR, ALUMINUM LIGHT WEIGHT CHAIR FRAME, 6" SOLID MAG REAR WHEEL, 5" SOLID CASTOR, FLIP-UP ARMREST, FLIP-UP FOOTREST, WITH DROP BACK HANDLE AND SEAT BELT



**JL9003LAJ**

TRANSIT WHEELCHAIR, ALUMINUM LIGHT WEIGHT CHAIR FRAME, 8" SOLID MAG REAR WHEEL, 5" SOLID CASTOR, FLIP-UP ARMREST AND FOOTREST, DROP BACK HANDLE, WITH UNITED BRAKE AND SEAT BELT



**JL9002LABJ**

ALUMINUM FRAME, FLIP-UP ARMREST, FLIP-UP FOOTREST, PU CASTOR, PU REAR WHEEL, WITH UNITED BRAKE, DROP BACK HANDLE



**JL9001LJ**

ALUMINUM FOLDABLE FRAME, FLIP-UP ARMREST, FOLDABLE FOOTREST, SOLID CASTOR, SOLID REAR WHEEL, WITH UNITED BRAKE AND SAFETY BELT

MODEL	UNFOLDED WIDTH	FOLDED WIDTH	SEAT WIDTH	TOTAL HEIGHT	SEAT HEIGHT	REAR WHEEL DIA	FRONT WHEEL DIA	TOTAL LENGTH	SEAT DEPTH	BACKREST HEIGHT	WEIGHT CAP (KG)	NW (KG)	GW (KG)	CARTON SIZE (CM)	PCS/CN	20" FCL (PCS)	40" FCL (PCS)
JL9004L	37	19	32	87	45	6"	5"	77	37	40	100	7	8.1	53*24*62	1	345	850
JL9003LAJ	45	20	37	88	45	8"	6"	84	30	38	100	7.2	9.4	75*25*66	1	220	550
JL9002LABJ	44	21	37	79	43	8"	6"	88	30	33	100	7.9	9.2	72*24*70	1	225	560
JL9001LJ	51	32	37	90	45	8"	5"	97	33	35	100	6.9	8.4	52*32*70	1	230	580

# ALUMINUM WHEELCHAIR



**JL883LABJ**

PEDIATRIC WHEELCHAIR, ALUMINUM CHAIR FRAME, DROP BACK HANDLE, FIXED ARMREST, FIXED FOOTREST, SOLID CASTOR, PNEUMATIC REAR WHEEL, WITH UNITED BRAKE AND SEAT BELT



**JL874LAJ-30**

PEDIATRIC WHEELCHAIR, ALUMINUM CHAIR FRAME, FIXED ARMREST, FIXED FOOTREST, SOLID CASTOR, PNEUMATIC REAR WHEEL, DROP BACK HANDLE, WITH UNITED BRAKE



**JL980LA-35**

ALUMINUM FRAME, FLIP-UP ARMREST, FIXED FOOTREST, SOLID CASTOR, PNEUMATIC REAR WHEEL, DROP BACK HANDLE



**JL974LA-35**

PEDIATRIC WHEELCHAIR, ALUMINUM CHAIR FRAME, FIXED ARMREST, DETACHABLE FOOTREST, DROP BACK HANDLE, PNEUMATIC REAR WHEEL, SOLID CASTOR, ANTI-TIPPER

MODEL	UNFOLDED WIDTH	FOLDED WIDTH	SEAT WIDTH	TOTAL HEIGHT	SEAT HEIGHT	REAR WHEEL DIA	FRONT WHEEL DIA	TOTAL LENGTH	SEAT DEPTH	BACKREST HEIGHT	WEIGHT CAP (KG)	NW (KG)	GW (KG)	CARTON SIZE (CM)	PCS/CN	20" FCL (PCS)	40" FCL (PCS)
JL883LABJ	49	30.5	30	90	49	22"	6"	87	38	39	100	10.5	12.2	88*30.5*68.5	1	175	425
JL874LAJ-30	52.5	33.5	30	87.5	44	22"	6"	87	36	39	100	10	11.7	77.5*33.5*74	1	185	455
JL980LA-35	50	30	35	93	49	22"	6"	106	42	42	100	12.7	14.2	87*33*70	1	135	335
JL974LA-35	53	28	35	93	42	22"	3"	93	39	37	100	13.8	16	69*33*66	1	180	450





**JL710LQ**

SPORTY DESIGN WITH A LIGHT WEIGHT FRAME , BREATHABLE,COMFORTABLE CUSHION,FOLDABLE FRAME,FOOT PAD HEIGHT CAN BE ADJUST



**JL715LQ**

LIQUID COATED LIGHT WEIGHT ALUMINUM FRAME,FOLDABLE FRAME,COMFORTABLE NYLON CUSHION SEAT



**JL724LQ-36**

LIQUID COATED LIGHTWEIGHT ALUMINUM FRAME,FOLDABLE FRAME,COMFORTABLE NYLON CUSHION SEAT



**JL721LQ-36**

LIQUID COATED LIGHTWEIGHT ALUMINUM FRAME,FOLDABLE FRAME,COMFORTABLE NYLON CUSHION SEAT



**JL720LQ**

ALUMINUM FRAME & CROSS BRACE, ADJUSTABLE ARMREST,PLASTIC BLACK FOOTREST WITH HEEL LOOP, 4"CASTOR & 24"QUICK SPOKE WHEEL WITH PU TYRE



**JL730LQ**

LIQUID COATED LIGHTWEIGHT ALUMINUM FRAME,FOLDABLE FRAME,COMFORTABLE NYLON CUSHION SEAT



**JL722LQ-36**

LIQUID COATED LIGHTWEIGHT ALUMINUM FRAME,FOLDABLE FRAME,COMFORTABLE NYLON CUSHION SEAT



**JL724LQ-38**

LIQUID COATED LIGHTWEIGHT ALUMINUM FRAME,FOLDABLE FRAME,COMFORTABLE NYLON CUSHION SEAT

MODEL															PCS/CN	20' FCL (PCS)	40' FCL (PCS)
	UNFOLDED WIDTH	FOLDED WIDTH	SEAT WIDTH	TOTAL HEIGHT	SEAT HEIGHT	REAR WHEEL DIA	FRONT WHEEL DIA	TOTAL LENGTH	SEAT DEPTH	BACKREST HEIGHT	WEIGHT CAP(KG)	NW(KG)	GW(KG)	CARTON SIZE (CM)			
JL710LQ	57	-	38	78	48	24"	4"	85	-	-	120	11	13	86*34*79.5	1	118	290
JL715LQ	58	-	38	75	43	24"	4"	85	-	-	100	12	14.6	86*34*79.5	1	118	290
JL720LQ	59	-	38	72	43	24"	4"	84	-	-	100	10.8	13	87*36*73	1	121	295
JL730LQ	67	-	38	77	43	24"	4"	84	-	-	100	10.8	11.8	76*62*50	1	116	283

MODEL															PCS/CN	20' FCL (PCS)	40' FCL (PCS)
	UNFOLDED WIDTH	FOLDED WIDTH	SEAT WIDTH	TOTAL HEIGHT	SEAT HEIGHT	REAR WHEEL DIA	FRONT WHEEL DIA	TOTAL LENGTH	SEAT DEPTH	BACKREST HEIGHT	WEIGHT CAP(KG)	NW(KG)	GW(KG)	CARTON SIZE (CM)			
JL724LQ-36	56	-	36	76	48	24"	4"	83	-	-	100	8	11	87*36*79	1	110	270
JL721LQ-36	58	-	36	72	48	24"	4"	83	-	-	100	11.6	13.6	87*36*73	1	120	295
JL722LQ-36	57	-	36	72	48	24"	4"	84	-	-	100	11.6	13.6	87*36*76	1	110	270
JL724LQ-38	53	-	38	80	50	24"	4"	85	-	-	100	12.5	14.5	85*30*83	1	130	320

# ELECTRIC WHEELCHAIR



**JLD00301**

FOLDABLE ALUMINUM ALLOY FRAME, HIGH-EFFICIENCY ENERGY-SAVING POWERFUL MOTOR, INTELLIGENT ELECTROMAGNETIC BRAKE, MANUAL/ELECTRIC MODE ONE-KEY SWITCH, EASY TO FOLD AND PORTABLE



**JLD00303**

FOLDABLE HIGH-STRENGTH IRON FRAME, BREATHABLE AND COMFORTABLE CUSHION, ERGONOMIC DESIGN AND COMFORTABLE HANDLE, DETACHABLE FOOT PEDAL



**JL138L**

POWDER COATING ALUMINUM FRAME, FLIP-UP ARMREST, DETACHABLE FOOTREST, PU CASTOR, PU DRIVE WHEEL, GELLEAD ACID BATTERY, DROP BACK HANDLE, FOLDABLE CHAIR FRAME



**JL110A**

ELECTRIC WHEELCHAIR WITH STEEL FRAME, DETACHABLE FOOTREST, 8" PU CASTOR, 12" PU WHEEL



**JL102**

STEEL FRAME, FIXED FOOTREST, FLIP-DOWN ARMREST, BRAKE MOTOR DRIVE



**JLD00302**

ALUMINUM FRAME, FRONT AND REAR WHEELS WITH SHOCK ABSORPTION FUNCTION, INFLATABLE REAR WHEELS FOR GOOD COMFORT, ELECTRIC ADJUSTMENT OF FOOT REST AND BACKREST ANGLE, MULTIFUNCTIONAL CONTROLLER WITH LCD DISPLAY



**JL1008**

POWER ELECTRIC WHEELCHAIR, DETACHABLE FOOTREST AND FOLDABLE BACKREST, SOLID CASTOR DRIVE WHEEL



**JL1009**

POWER ELECTRIC WHEELCHAIR, FOLDABLE BACKREST, DETACHABLE PEDAL, 8" CASTOR, 20" REAR WHEEL

MODEL	UNFOLDED WIDTH	FOLDED WIDTH	SEAT WIDTH	TOTAL HEIGHT	SEAT HEIGHT	REAR WHEEL DIA	FRONT WHEEL DIA	TOTAL LENGTH	SEAT DEPTH	BACKREST HEIGHT	WEIGHT CAP(KG)	NW(KG)	GW(KG)	CARTON SIZE (CM)	PCS/CN	20" FCL (PCS)	40" FCL (PCS)
JLD00301	64	30	46	92	53	10"	8"	97	42.5	38	100	21	23.5	93*33*77	1	115	285
JLD00303	63	34	45	97	52	12"	8"	108	43	43	135	50.3	58	87*32*81	1	120	300
JL102	66	37	41	92	50	12"	8"	93	26	40	100	38	40.4	88*47*93	1	70	175
JLD00302	68	39	46	124	51	10"	16"	112	43		100	36	43.5	94*41*82	1	85	210

MODEL	UNFOLDED WIDTH	FOLDED WIDTH	SEAT WIDTH	TOTAL HEIGHT	SEAT HEIGHT	REAR WHEEL DIA	FRONT WHEEL DIA	TOTAL LENGTH	SEAT DEPTH	BACKREST HEIGHT	WEIGHT CAP(KG)	NW(KG)	GW(KG)	CARTON SIZE (CM)	PCS/CN	20" FCL (PCS)	40" FCL (PCS)
JL138L	62	37	45/51	95	51	12"	8"	107	42	40	100	46.8	51	79*40*76	1	115	280
JL110A	62	34	46	117	50	12"	8"	117	44	44	100	51	53	80*35*77	1	125	315
JL1008	64	37	45	94	46	12"	8"	114	43	39.5	100	46	50	73.5*37*72.5	1	140	340
JL1009	61	32	45	96.5	51	20"	8"	99.8	45	39	100	33	34	78*32*75.5	1	145	360



**JLD00401**

ALUMINUM ALLOY MATERIAL, ONE-BUTTON FOLDING FRONT AND BACK, ARMRESTS CAN BE LIFTED, THE CONTROLLER LEFT AND RIGHT HANDS INTER CHANGEABLE, MANUAL/ELECTRIC MODE CAN BE SWITCHED



**JLD00402**

ALUMINUM FRAME, ARMREST OPENING AND CLOSING DESIGN, SWITCHABLE MANUAL/ELECTRIC MODE, DETACHABLE BATTERY, SPRING SUSPENSION UNIVERSAL SOLID FRONT WHEEL, PU SOLID REAR WHEEL



**JLD00304**

FRONT AND REAR FOLDING ALUMINUM ALLOY FRAME, ADJUSTABLE LIFTING AND REAR TURNING ARMRESTS, UP TURNING PEDALS, 8 INCH FRONT WHEEL, 12 INCH REAR WHEEL



**JLD00305**

FRONT AND REAR FOLDING ALUMINUM ALLOY FRAME, INTELLIGENT ELECTROMAGNETIC BRAKE, MANUAL/ELECTRIC MODE ONE-KEY SWITCH, HIGH-EFFICIENCY ENERGY-SAVING POWERFUL MOTOR, AIR FILLED AND SHOCK-ABSORBING HONEYCOMB FRONT WHEEL

MODEL	UNFOLDED WIDTH	FOLDED WIDTH	SEAT WIDTH	TOTAL HEIGHT	SEAT HEIGHT	REAR WHEEL DIA	FRONT WHEEL DIA	TOTAL LENGTH	SEAT DEPTH	BACKREST HEIGHT	WEIGHT CAP (KG)	NW (KG)	GW (KG)	CARTON SIZE (CM)	PCS/CN	20' FCL (PCS)	40' FCL (PCS)
JLD00401	60	-	45	95	50	12"	8"	98	43	46	100	27	33	68*42.5*87	1	110	270
JLD00402	62	-	50	92	60	12"	8"	82	50	46	100	21	25	63.5*39*85	1	130	320
JLD00304	62	-	43	96	49	12"	8"	86	45	37	100	17	22	63*38*92	1	125	300
JLD00305	58	-	46	94	48	10"	8"	96	41	38	100	24	27	80*31*60	1	185	450

- **AUTOMATIC FOLLOWING, FREE YOUR HANDS, SMART BAND ANTI LOST ALARM**

WIRELESS REMOTE CONTROL EQUIPPED WITH SMART REMOTE CONTROL THE H3 CAN BE OPERATED BY THE REMOTE COMDTROL TO ADVANCE, RETRAT, AND TURN LEFT AND RIGHT. IT CAN READ LIGHTS, HORN ALARMS, AND ONE-BUTTON QUICK FOLDING.



**JL-H3**

FULLY AUTOMATIC INTELLIGENT FOLLOW WHEELCHAIR, INTELLIGENT JOYSTICK CONTROLLER, EASY AND COMFORTABLE STEERING EXPERIENCE, INTELLIGENT BRAKE, CONTROLLER CAN BE MOUNTED ON LEFT OR RIGHT ARMREST, ARMREST CAN BE RAISED FOR EASY SIDE ACCESS TO THE SEAT, FOOTREST ADJUSTABLE WITH 3 DIFFERENT HEIGHT, DC BRUSH MOTOR, PRESS THE HORN TO GIVE OTHERS REMINDER.

MODEL	UNFOLDED WIDTH	FOLDED WIDTH	SEAT WIDTH	TOTAL HEIGHT	SEAT HEIGHT	REAR WHEEL DIA	FRONT WHEEL DIA	TOTAL LENGTH	SEAT DEPTH	BACKREST HEIGHT	WEIGHT CAP (KG)	NW (KG)	GW (KG)	CARTON SIZE (CM)	PCS/CN	20' FCL (PCS)	40' FCL (PCS)
JL-H3	62	-	45	98	58	12.5"	8"	110	45	46	130	33	42	89*62*40	1	84	320

# ELECTRIC WHEELCHAIR



**JLD00101**

ELECTRIC VERTICAL WHEELCHAIR, POWDER COATED FRAME, IMPORTED CONTROLLER, LED HEADLIGHTS, EIGHT LIFT MODES



**JL143**

POWER STAND UP WHEELCHAIR, POWDER COATING FRAME, FILP-UP ARMREST WITH SINGLE CONTROLLER FOR BOTH DRIVING & SEAT LIFTING, STRONG RUBBER FOAM DRIVEWHEEL, SPECIAL DESIGN WITH COMFORTABLE SAFETY LEGREST BELT



**JL139**

POWER WHEELCHAIR, FLIP-UP ARMREST, 8" SOLID CASTOR, 12" SOLID DRIVE WHEEL



**JLDX01**

LITHIUM AND LEAD-ACID BATTERIES FOR OPTION, BRIGHT LED SPOTLIGHT WITH LOW ENERGY CONSUMPTION, OPTIONAL ECONOMIC AND LUXURY 360° ROTATING SEAT



**JL123F1**

POWDER COATING STEEL FRAME, ANGLE ADJUSTABLE BACKREST, ADJUSTABLE ARMREST PAD, PU CASTOR AND DRIVE REAR WHEEL, DETACHABLE SIDEBOARD, WITH SAFETY LAMPS, DETACHABLE STRONG FOOTREST



**JL141**

POWDER COATED STEEL FRAME, DETACHABLE ARMREST, DOUBLE UNIVERSAL CONTROL, MANUAL ELECTRIC INTEGRATED DESIGN, HITTING FUNCTION BACK AND FORTH RECLINING HIGH BACK.



**JLDX02**

FOLDING AND UNFOLDING AUTOMATICALLY BY BUTTON, SOLID EXPLOSION PROOF TYRES AND ACCURATE LED BATTERY INDICATOR



**JLDX03**

THE MAIN USE OF HIGH RISE BUILDINGS STAIR STRETCHER TRANSFER OF PATIENTS UP AND DOWN STAIRS, MADE OF HIGH-STRENGTH ALUMINUM LAY MATERIALS.

MODEL	UNFOLDED WIDTH	FOLDED WIDTH	SEAT WIDTH	TOTAL HEIGHT	SEAT HEIGHT	REAR WHEEL DIA	FRONT WHEEL DIA	TOTAL LENGTH	SEAT DEPTH	BACKREST HEIGHT	WEIGHT CAP(KG)	NW(KG)	GW(KG)	CARTON SIZE (CM)	PCS/CN	20" FCL (PCS)	40" FCL (PCS)
JLD00101	66	-	48	124	60	10"	18"	112	42	42	150	125	170	108*80*121	1	26	65
JL143	62	-	46	107	58	12"	8"	107	44	48	100	80.4	98.2	143*64*75	1	40	98
JL123F1	67	-	43	95	58	16"	10"	107	42	47	100	63	70.8	78*68*69	1	75	185
JL141	60	-	45	107.5	49	12"	8"	101	45	48	100	60	78.3	79*69*79	1	75	180

MODEL	UNFOLDED WIDTH	FOLDED WIDTH	SEAT WIDTH	TOTAL HEIGHT	SEAT HEIGHT	REAR WHEEL DIA	FRONT WHEEL DIA	TOTAL LENGTH	SEAT DEPTH	BACKREST HEIGHT	WEIGHT CAP(KG)	NW(KG)	GW(KG)	CARTON SIZE (CM)	PCS/CN	20" FCL (PCS)	40" FCL (PCS)
JL139	57	-	45	105	57	12"	8"	105	41	53	120	73.5	79	87.5*58*67	1	80	170
JLDX01	50	-	41	92	58	9"	9"	110	35	32	100	47	51	104*53*54.5	1	88	176
JLDX02	46	-	36	85	35	8"	7"	95	27	32	100	25	31	97.6*52.4*40	1	141	285
JLDX03	46	-	40	100	50	7"	5"	123	50	38	200	30	45	111*58*31	1	80	165

# STEEL WHEELCHAIR

# STEEL WHEELCHAIR



**JL809J**

CHROMED STEEL FRAME, FIXED ARMREST, FIXED FOOTREST, SOLID CASTOR, SOLID REAR WHEEL WITH UNITED BRAKE



**JL809B**

CHROMED STEEL FRAME, FIXED ARMREST, FIXED FOOTREST, SOLID CASTOR, SOLID REAR MAG WHEEL



**JL809**

CHROMED STEEL FRAME, FIXED ARMREST, FIXED FOOTREST, SOLID CASTOR, SOLID REAR WHEEL



**JL808**

POWDER COATING STEEL FRAME, FIXED ARMREST, FIXED FOOTREST, SOLID CASTOR, SOLID REAR WHEEL



**JL809T**

CHROMED STEEL FRAME, FIXED ARMREST, FIXED FOOTREST, SOLID CASTOR, SOLID REAR WHEEL



**JL809Y**

CHROMED STEEL FRAME, FIXED ARMREST, FIXED FOOTREST, SOLID CASTOR, SOLID REAR WHEEL, HARD SEAT CUSHION



**JL868**

POWDER COATING STEEL FRAME, DOUBLE CROSS BAR, FIXED ARMREST, FIXED FOOTREST, SOLID CASTOR, SOLID REAR WHEEL



**JL874**

CHROMED STEEL FRAME, DOUBLE CROSS BAR, FIXED ARMREST, FIXED FOOTREST, SOLID CASTOR, SOLID REAR WHEEL

MODEL	UNFOLDED WIDTH	FOLDED WIDTH	SEAT WIDTH	TOTAL HEIGHT	SEAT HEIGHT	REAR WHEEL DIA	FRONT WHEEL DIA	TOTAL LENGTH	SEAT DEPTH	BACKREST HEIGHT	WEIGHT CAP(KG)	NW(KG)	GW(KG)	CARTON SIZE (CM)	PCS/CN	20' FCL (PCS)	40' FCL (PCS)
JL809J	66	21	46	87	47	24"	8"	104	43	41	100	17.2	19.2	93*21*89	1	160	390
JL809B	66	23	46	87	47	24"	8"	104	40	41	100	17.2	19.2	93*22*88	1	150	275
JL809T	66	21	46	87	48	24"	8"	104	43	39	100	16.6	18.6	93*21*88	1	160	390
JL809Y	65	32	45	87	48	24"	8"	104	43	39	100	17.2	19.2	93*31.5*93	1	100	245

MODEL	UNFOLDED WIDTH	FOLDED WIDTH	SEAT WIDTH	TOTAL HEIGHT	SEAT HEIGHT	REAR WHEEL DIA	FRONT WHEEL DIA	TOTAL LENGTH	SEAT DEPTH	BACKREST HEIGHT	WEIGHT CAP(KG)	NW(KG)	GW(KG)	CARTON SIZE (CM)	PCS/CN	20' FCL (PCS)	40' FCL (PCS)
JL809	66	21	46	87	48	24"	8"	104	43	39	100	16.6	18.6	93*21*88	1	160	390
JL809D	-	-	-	-	-	-	-	-	-	-	-	15	17	80*21*78	1	210	515
JL809D	-	-	-	-	-	-	-	-	-	-	-	15	17	60*22*70	1	300	730
JL808	66	21	46	87	48	24"	8"	104	43	39	100	16.6	18.6	93*21*88	1	160	390
JL868	60	23	44	89	49	22"	6"	100	42	38	100	12.5	14.6	97*23*89	1	140	340
JL874	60	25	41	91	53	24"	8"	103	40	38.5	100	16.3	18.3	94*28*92	1	110	275

# STEEL WHEELCHAIR



**JL909**

POWDER COATED STEEL FRAME, DOUBLE CROSS BAR, FLIP-UP ARMREST, DETACHABLE FOOTREST, SOLID CASTOR, SOLID REAR WHEEL



**JL909BQ**

POWDER COATED STEEL FRAME, FLIP-UP ARMREST, DETACHABLE FOOTREST, SOLID CASTOR, SOLID MAG REAR WHEEL



**JL901**

CHROMED STEEL FRAME, DETACHABLE ARMREST, DETACHABLE FOOTREST, SOLID CASTOR, SOLID REAR WHEEL



**JL905**

POWDER COATED STEEL WHEELCHAIR WITH FABRIC SEAT AND BACKREST, 24" INCH PNEUMATIC REAR WHEEL, 200x50 PU CASTOR, FLIP-UP ARMREST, ADJUSTABLE FOOTPLATE & DETACHABLE FOOTREST



**JL908AQ**

CHROMED STEEL FRAME, FLIP-UP ARMREST, DETACHABLE FOOTREST, SOLID CASTOR, SOLID REAR WHEEL, DROP BACK HANDLE, WITH QUICK RELEASE WHEEL



**JL904B**

POWDER COATED STEEL FRAME, DETACHABLE ARMREST, DETACHABLE FOOTREST, SOLID CASTOR, PNEUMATIC MAG REAR WHEEL



**JL902C**

CHROMED STEEL FRAME, DETACHABLE ARMREST, DETACHABLE ELEVATING FOOTREST, SOLID CASTOR, SOLID REAR WHEEL



**JL903**

POWDER COATING STEEL FRAME, DETACHABLE ARMREST, DETACHABLE FOOTREST, SOLID CASTOR, SOLID REAR WHEEL

MODEL	Icons: [Folded] [Unfolded] [Seat] [Backrest] [Armrest] [Footrest] [Castor] [Rear Wheel] [Front Wheel] [Quick Release] [Drop Back] [MAG] [Pneumatic] [Fabric] [PU]											PCS/CN	20' FCL (PCS)	40' FCL (PCS)			
	UNFOLDED WIDTH	FOLDED WIDTH	SEAT WIDTH	TOTAL HEIGHT	SEAT HEIGHT	REAR WHEEL DIA	FRONT WHEEL DIA	TOTAL LENGTH	SEAT DEPTH	BACKREST HEIGHT	WEIGHT CAP (KG)				NW (KG)	GW (KG)	CARTON SIZE (CM)
JL909	61	27	46	88	49	24"	8"	103	41	38	100	18.6	20.9	80*28*89	1	135	340
JL909BQ	61	27	46	88	49	24"	8"	103	41	38	100	18.6	20.9	80*28*89	1	135	340
JL908AQ	60	25	45	92	49	24"	8"	104	42	44	100	16.9	19.1	82*26.5*77	1	165	400
JL904B	62	27	46	88	49	12"	8"	98	43	42	100	14	16	71*28*90	1	150	390

MODEL	Icons: [Folded] [Unfolded] [Seat] [Backrest] [Armrest] [Footrest] [Castor] [Rear Wheel] [Front Wheel] [Quick Release] [Drop Back] [MAG] [Pneumatic] [Fabric] [PU]											PCS/CN	20' FCL (PCS)	40' FCL (PCS)			
	UNFOLDED WIDTH	FOLDED WIDTH	SEAT WIDTH	TOTAL HEIGHT	SEAT HEIGHT	REAR WHEEL DIA	FRONT WHEEL DIA	TOTAL LENGTH	SEAT DEPTH	BACKREST HEIGHT	WEIGHT CAP (KG)				NW (KG)	GW (KG)	CARTON SIZE (CM)
JL901	66	28	46	88	50	24"	8"	103	41	39	10	18.5	20.7	80*28*89	1	135	340
JL905	67	30	46	90	49	24"	8"	104	40	39	100	16.8	18.7	81*31*91	1	120	295
JL902C	66	27	46	90	51	24"	8"	104	41	39	100	18.5	20.7	80*28*89	1	135	340
JL903	66	27	46	89	50	24"	8"	101	43	39	100	18.5	20.7	80*28*89	1	135	340

# STEEL WHEELCHAIR



**JL980LQF3-30**

ALUMINUM CHILD WHEELCHAIR, FLIP-UP HEIGHT ADJUSTABLE ARMREST, DETACHABLE FOOTREST, SOLID CASTOR, QUICK RELEASE PNEUMATIC REAR WHEEL



**JL802-35**

POWDER STEEL FRAME, FIXED ARMREST, FIXED FOOTREST, SOLID CASTOR, SOLID REAR WHEEL



**JL901-51**

CHROMED STEEL FRAME, DETACHABLE HIGH AND LOW ARMRESTS, DETACHABLE FOOTREST, 200X50 PVC FRONT WHEELS, INFLATABLE PATTERNED REAR WHEEL, HEAVY DUTY FRAME



**JL951B-51**

POWDER COATING STEEL FRAME, DOUBLE CROSS BAR, FLIP-UP ARMREST, DETACHABLE FOOTREST, 200X50 PVC CASTOR, PNEUMATIC MAG REAR WHEEL



**JL805-31**

POWDER STEEL FRAME, FLIP-UP ARMREST, DETACHABLE FOOTREST, SOLID CASTOR, SOLID REAR WHEEL



**JL976ABJ**

POWDER COATED STEEL FRAME, FIXED ARMREST, DETACHABLE FOOTREST, SOLID CASTOR, SOLID REAR WHEEL WITH UNITED BRAKE



**JL973-61**

CHROMED STEEL HEAVY DUTY FRAME, 200x50 PVC CASTOR, SOLID REAR MAG WHEEL, FIXED ARMREST AND FOOTREST



**JL975-51**

CHROMED STEEL FRAME, DOUBLE CROSS BARS, DETACHABLE ARMRESTS, DETACHABLE FOOTREST, SOLID FRONT WHEELS, SOLID REAR WHEEL

MODEL	UNFOLDED WIDTH	FOLDED WIDTH	SEAT WIDTH	TOTAL HEIGHT	SEAT HEIGHT	REAR WHEEL DIA	FRONT WHEEL DIA	TOTAL LENGTH	SEAT DEPTH	BACKREST HEIGHT	WEIGHT CAP(KG)	NW(KG)	GW(KG)	CARTON SIZE (CM)	PCS/CN	20' FCL (PCS)	40' FCL (PCS)
JL980LQF3-30	46	-	30	83	52	22"	6"	-	-	-	75	13.5	15.5	74*33*91	1	121	295
JL802-35	54	22	35	88	47	22"	6"	96	39	40	100	14.2	16.5	88*23*90	1	144	372
JL805-31	54	22	31	88	47	22"	6"	96	39	40	100	14.2	16.5	88*23*90	1	144	372
JL976ABJ	61	25	42.5	101	52	8"	8"	95	43	40	100	13	15	64.5*26*83	1	200	488

MODEL	UNFOLDED WIDTH	FOLDED WIDTH	SEAT WIDTH	TOTAL HEIGHT	SEAT HEIGHT	REAR WHEEL DIA	FRONT WHEEL DIA	TOTAL LENGTH	SEAT DEPTH	BACKREST HEIGHT	WEIGHT CAP(KG)	NW(KG)	GW(KG)	CARTON SIZE (CM)	PCS/CN	20' FCL (PCS)	40' FCL (PCS)
JL901-51	66	28	51	88	50	24"	8"	103	45	40	136	19	21	80*30*89	1	130	315
JL951B-51	67	29	51	94	52	24"	8"	115	46	40	136	20	22	87.5*29.5*97	1	110	270
JL973-61	81	29	61	94	52	24"	8"	115	46	40	136	21.5	24.5	109*30*101.5	1	80	200
JL975-51	72	26	51	90	52.5	24"	8"	102	45	40	136	20	22	80*27*91	1	140	340

# CEREBRAL PALSY WHEELCHAIR



**JL9020L**

ALUMINUM FRAME WITH COMFORTABLE SEAT AND SAFETY BELT, RECLINING HIGH BACK, SOLID CASTOR, PU MAG REAR WHEEL, ADJUSTABLE HEADREST, ADJUSTABLE ARMREST, ELEVATING FOOTREST, ADJUSTABLE SEAT



**JL258LBYGP**

ALUMINUM FRAME, RECLINING HIGH BACK, ADJUSTABLE SEAT ANGLE, DETACHABLE SEAT AND BACK, SOLID CASTOR, PU MAG REAR WHEEL, SAFETY BELT



**JL954GC**

POWDER COATED STEEL FRAME, RECLINING HIGH BACK, DETACHABLE ARMREST, DETACHABLE ELEVATING FOOTREST, SOLID CASTOR, SOLID REAR WHEEL



**JL902GC**

POWDER COATED STEEL FRAME, RECLINING HIGH BACK, FLIP-UP ARMREST, DETACHABLE ELEVATING FOOTREST, SOLID CASTOR, SOLID REAR WHEEL



**JL203L**

ALUMINUM FRAME, COMFORTABLE ERGONOMIC SEAT, DETACHABLE AND HEIGHT ADJUSTABLE ARMREST, DETACHABLE ELEVATING FOOTREST, SOLID CASTOR, PNEUMATIC REAR WHEEL



**JL9541GC**

POWDER COATED STEEL FRAME, BREATHABLE AND COMFORTABLE FOAM PAD, INCLINED HIGH BACKREST, FLIP UP ARMREST, DETACHABLE LIFTING FOOTREST, PVC SOLID FRONT WHEEL, PVC MAG SOLID REAR WHEEL



**JL609GCU**

CHROMED STEEL FRAME, RECLINING HIGH BACK, U SHAPE COMMODE SEAT, DETACHABLE ARMREST, DETACHABLE ELEVATING FOOTREST, SOLID CASTOR, SOLID REAR WHEEL



**JL609LGC**

ALUMINUM FRAME, RECLINING HIGH BACK, U SHAPE COMMODE SEAT, DETACHABLE ELEVATING FOOTREST, SOLID CASTOR, PNEUMATIC REAR WHEEL, WITH ROLLOVER PREVENTION

MODEL	UNFOLDED WIDTH	FOLDED WIDTH	SEAT WIDTH	TOTAL HEIGHT	SEAT HEIGHT	REAR WHEEL DIA	FRONT WHEEL DIA	TOTAL LENGTH	SEAT DEPTH	BACKREST HEIGHT	WEIGHT CAP(KG)	NW(KG)	GW(KG)	CARTON SIZE (CM)	PCS/CN	20' FCL (PCS)	40' FCL (PCS)
JL9020L	52	29	35	107	52	16"	6"	106	36	44	100	23	25.2	86*33*100	1	95	235
JL258LBYGP	42	30	30	103	49	14"	7"	93	39	28-68	100	17.4	20.7	80*41*69	1	120	295
JL203L	66.5	66	66.5	116	58	24"	8"	109-125	42	48	100	24.8	28	96*66*107	1	40	100
JL9541GC	68	39	46	123	51	24"	8"	123	42	44	100	24.5	28	110*35*80	1	88	218

MODEL	UNFOLDED WIDTH	FOLDED WIDTH	SEAT WIDTH	TOTAL HEIGHT	SEAT HEIGHT	REAR WHEEL DIA	FRONT WHEEL DIA	TOTAL LENGTH	SEAT DEPTH	BACKREST HEIGHT	WEIGHT CAP(KG)	NW(KG)	GW(KG)	CARTON SIZE (CM)	PCS/CN	20' FCL (PCS)	40' FCL (PCS)
JL954GC	66	34	46	128	51	24"	8"	115	44	49	100	23	25.5	110*35*80	1	88	218
JL902GC	65	44	46	128	50	24"	8"	119	44	49	100	26	29	99*35*91	1	85	215
JL609GCU	62.5	33.5	45.5	127	56.5	24"	8"	120	45	42.5	100	30	33	110*34*80	1	90	225
JL609LGC	59.5	29	43	138	58	24"	8"	125.5	44	86	100	21.5	24.2	112*39*84.5	1	75	180



# COMMODE WHEELCHAIR

# TRANSFER CHAIR



JL609U

## JL609

CHROMED STEEL FRAME, SQUARE COMMODE SEAT, FIXED ARMREST, FIXED FOOTREST, SOLID CASTOR, SOLID REAR WHEEL



## JL609L

ALUMINUM FRAME, SQUARE COMMODE SEAT, FIXED ARMREST, FIXED FOOTREST, SOLID CASTOR, SOLID REAR WHEEL



JL681U-41  
JL681U-46  
JL681U-51

## JL681

CHROMED STEEL FRAME, SQUARE COMMODE SEAT, FLIP-UP ARMREST, DETACHABLE FOOTREST, SOLID CASTOR, SOLID REAR WHEEL



JL682U-41  
JL682U-46  
JL682U-51

## JL682

CHROMED STEEL FRAME, SQUARE COMMODE SEAT, FLIP-UP ARMREST, DETACHABLE FOOTREST, SOLID CASTOR, SOLID REAR WHEEL



## JL2000

ALL IN ONE WHEELCHAIR LIFTS FOR HOME, SEATED PATIENT LIFT, HANDICAPPED ELDERLY COMMODE BATH CHAIR, MULTI-FUNCTION PATIENT LIFT EASY TRANSFER TO TOILET AND BATHROOM



## JL2010

ALL IN ONE WHEELCHAIR LIFTS FOR HOME, SEATED PATIENT LIFT, HANDICAPPED ELDERLY COMMODE BATH CHAIR, MULTI-FUNCTION PATIENT LIFT EASY TRANSFER TO TOILET AND BATHROOM



## JL2020

ALL IN ONE WHEELCHAIR LIFTS FOR HOME, SEATED PATIENT LIFT, HANDICAPPED ELDERLY COMMODE BATH CHAIR, MULTI-FUNCTION PATIENT LIFT EASY TRANSFER TO TOILET AND BATHROOM



## JLZ2001

ELECTRIC TRANSFER CHAIR, STEEL FRAME, REMOTE CONTROL & BUILT-IN CONTROL, SPLIT SEAT DESIGN, FOOTBRAKE, 5" FRONT WHEEL WITH BRAKE & 3" REAR WHEEL

MODEL	UNFOLDED WIDTH	FOLDED WIDTH	SEAT WIDTH	TOTAL HEIGHT	SEAT HEIGHT	REAR WHEEL DIA	FRONT WHEEL DIA	TOTAL LENGTH	SEAT DEPTH	BACKREST HEIGHT	WEIGHT CAP(KG)	NW(KG)	GW(KG)	CARTON SIZE (CM)	PCS/CN	20' FCL (PCS)	40' FCL (PCS)
JL609	63	24	45	87	52	24"	8"	104	44	40	100	18.3	21	93*28*88	1	120	290
JL609L	63	28	45	88	50	24"	6"	96	44	40	100	15.4	18.1	95*30*89	1	110	265
JL681	66	29	46	89	53	24"	8"	102	43.5	38	100	21.3	23.1	80*33*90	1	115	280
JL682	66	29	46	89	53	24"	8"	102	43	37	100	21.5	23	80*33*88	1	120	290

MODEL	UNFOLDED WIDTH	FOLDED WIDTH	SEAT WIDTH	TOTAL HEIGHT	SEAT HEIGHT	REAR WHEEL DIA	FRONT WHEEL DIA	TOTAL LENGTH	SEAT DEPTH	BACKREST HEIGHT	WEIGHT CAP(KG)	NW(KG)	GW(KG)	CARTON SIZE (CM)	PCS/CN	20' FCL (PCS)	40' FCL (PCS)
JL2000	53	-	43	91-107	50-66	4"	4"	67	42	42	100	18	20	71*57.5*33	1	205	500
JL2010	59.5	-	46	80.5-100.5	44-64	4"	4"	70	35	30	100	24	29.5	40.5*61*75	1	175	430
JL2020	59	-	46	93-119	46-71	3"	5"	78	40	30	100	28.5	32	40.5*61*75	1	120	295
JLZ2001	58.5	-	46	87.5-107.5	39.5-59.5	5"	3"	69	40	37	100	26.5	28.5	69*58.5*107.5	1	60	150



**JL6928**

WELDING FRAME WITH POWDER COATING, FLIP UP ARMREST AND SWING AWAY FOOTREST, 5" CASTOR, 24" QUICK RELEASE REAR WHEEL



**JL6929LB**

ALUMINUM POWDER COATED FRAME, SMALL PACKING, PU SEAT, LIFTING ARMREST, DETACHABLE FOOTREST, 5" SOLID CASTORS, 24" QUICK RELEASE REAR MAG WHEEL



**JL6929L**

ALUMINUM FOLDABLE FRAME, HEIGHT-ADJUSTABLE ARMREST, DETACHABLE FOOTREST, SMALL VOLUME, SAVING TRANSPORTATION COST



**JL6952**

ALUMINUM ALLOY FRAME, TOOL-FREE DISASSEMBLY AND ASSEMBLY, STEPLESS HYDRAULIC ADJUSTMENT OF BACK TILT, 5" UNIVERSAL MUTE RUBBER WHEELS, NECK SUPPORT CAN BE ADJUSTED UP AND DOWN FRONT AND BACK



**JL6927L**

ALUMINUM POWDER COATED FRAME, REMOVEABLE PU SEAT FLIP UP ARMREST, SWING AWAY FOOTREST, 5" SOLID CASTOR



**JL6927LB**

ALUMINUM FRAME, REMOVABLE PLASTIC COMMODE PAIL WITH LID, 5" PVC WHEELS, 24" SOLID MAG REAR WHEEL WITH BRAKE, REMOVE FOOTREST



**JL6926**

FOLDABLE STEEL FRAME, REMOVABLE SEAT PANNEL, REMOVABLE PLASTIC COMMODE PAIL WITH LID, SOLID REAR WHEEL, FLIP DOWN ARMREST, DETACHABLE FOOTREST, SMALLEST PACKING



**JL692**

POWDER COATED STEEL FRAME, FLIP-DOWN ARMREST, DETACHABLE FOOTREST, REAR CASTOR WITH LOCK, PLASTIC COMMODE SEAT

MODEL	UNFOLDED WIDTH	SEAT WIDTH	TOTAL HEIGHT	SEAT HEIGHT	REAR WHEEL DIA	FRONT WHEEL DIA	TOTAL LENGTH	SEAT DEPTH	BACKREST HEIGHT	WEIGHT CAP(KG)	NW(KG)	GW(KG)	CARTON SIZE (CM)	PCS/CN	20" FCL (PCS)	40" FCL (PCS)
JL6928	71	46	97	50	24"	5"	103	40	50	100	12.6	14	65*60*25	1	276	697
JL6929LB	56	36	81-87	42-50	24"	8"	90	35.5	30	100	13.4	14.8	73*39.5*56	1	165	415
JL6927L	57	47	94	54	5"	5"	81	41	30	100	12.9	14.2	72*53*26	1	280	670
JL6927LB	55	45	93	100	24"	5"	100	45	30	100	19.3	21.5	72*53*26/70*15*60	1	-	-

MODEL	UNFOLDED WIDTH	SEAT WIDTH	TOTAL HEIGHT	SEAT HEIGHT	REAR WHEEL DIA	FRONT WHEEL DIA	TOTAL LENGTH	SEAT DEPTH	BACKREST HEIGHT	WEIGHT CAP(KG)	NW(KG)	GW(KG)	CARTON SIZE (CM)	PCS/CN	20" FCL (PCS)	40" FCL (PCS)
JL6929L	44	36	78-84	40-48	8"	8"	87	35.5	34.5	100	9.2	10.8	60*38*39.5	1	300	750
JL6952	54	46	106	54	5"	5"	98	39	46	120	17	19	97*61*49	1	137	337
JL6926	55	44	95	53	5"	5"	90	43.5	39	100	13	14.2	58*56*25	1	330	825
JL692	55	44	90	53	5"	5"	90	43.5	39	100	17	18	56*55*54	1	160	400



JL8961L



JLC00101



JLC00301



JLC00302



JLC00102



JLC00201



JL8803L



JL8802L

MODEL	UNFOLDED WIDTH	SEAT WIDTH	TOTAL HEIGHT	SEAT HEIGHT	REAR WHEEL DIA	FRONT WHEEL DIA	TOTAL LENGTH	SEAT DEPTH	BACKREST HEIGHT	WEIGHT CAP(KG)	NW(KG)	GW(KG)	CARTON SIZE (CM)	PCS/CN	20' FCL (PCS)	40' FCL (PCS)
JL8961L	56	45	96	53	5"	5"	84	39	36	100	8.2	9.2	49*24*67	1	345	850
JLC00101	58	45.5	94	53.5	8"	4"	92	47.5	35	100	9	10.7	68*30.5*54.5	1	200	490
JLC00102	59.5	46	91.5	50	12"	4"	94	50	35	100	9.4	10.8	87*23.5*63	1	230	570
JLC00201	57.5	46	86-93.5	43.5	-	-	57.5	48.5	35	100	5.6	12.8	92*35*61	2	280	680

MODEL	UNFOLDED WIDTH	SEAT WIDTH	TOTAL HEIGHT	SEAT HEIGHT	REAR WHEEL DIA	FRONT WHEEL DIA	TOTAL LENGTH	SEAT DEPTH	BACKREST HEIGHT	WEIGHT CAP(KG)	NW(KG)	GW(KG)	CARTON SIZE (CM)	PCS/CN	20' FCL (PCS)	40' FCL (PCS)
JLC00301	56.5	46	92	51	4"	4"	82	45	35	100	7.7	8.9	54.5*19*76	1	350	850
JLC00302	57	46	98-107	48-57	4"	4"	87	43	50	100	8.4	10.1	57*22*81	1	270	660
JL8803L	51	51	93	47.5	5"	5"	71	40	47	100	12.5	14.5	63*50*60.5	1	141	350
JL8802L	54	43	90	48	3"	3"	53	44	43	100	6	7.3	78*15*45	1	510	1270



JL8171



JL817



JL8201



JL8996



JL895L



JL816



JL693



JL8202



JL8971



JL8972

MODEL	UNFOLDED WIDTH	SEAT WIDTH	TOTAL HEIGHT	SEAT HEIGHT	REAR WHEEL DIA	FRONT WHEEL DIA	TOTAL LENGTH	SEAT DEPTH	BACKREST HEIGHT	WEIGHT CAP (KG)	NW(KG)	GW(KG)	CARTON SIZE (CM)	PCS/CN	20' FCL (PCS)	40' FCL (PCS)
JL8171	65	43	92	52	24"	5"	101	43	35	100	19.2	20.7	63*32*80.5	1	170	410
JL817	53	43	93.5	53	5"	5"	87	43	35	100	13.5	14.8	61.5*19.5*94.5	1	240	590
JL816	53	43	90	52	-	-	49	43	35	100	8.7	9.7	51.5*17*91	1	340	840
JL693	54	44	89	48	5"	5"	73	40	33	100	12	13.2	67*29*50	1	280	690

MODEL	TOTAL LENGTH	SEAT WIDTH	TOTAL HEIGHT	SEAT HEIGHT	SEAT DEPTH	BACKREST HEIGHT	WEIGHT CAP (KG)	NW(KG)	GW(KG)	CARTON SIZE (CM)	PCS/CN	20' FCL (PCS)	40' FCL (PCS)
JL8201	53	47	79-94	43-58	41	38	100	8.5	10.3	61*53*74	1	112	280
JL8996	53	47	88-93	43-48	45	43	100	8.4	9.8	100*28*58	1	165	412
JL895L	56	47	71-81	40-50	43	29	100	4.9	6	57*49.5*24	1	395	985
JL8202	54	54	88	48			100	4.6	6.1	48*44*34	1	380	930
JL8971	20	38	71	46	20	39	100	3.1	3.83	21*39*70	1	460	1160
JL8972	20	38	71	46	20	39	100	3.1	3.83	21*39*70	1	460	1160



JL899



JLC00401



JL898



JLC00501



JL897



JLC00701



JL696L

JL696



JL894

JL894L



JL813



JL814



JL8801L



JL810

MODEL	Icons											PCS/CN	20" FCL (PCS)	40" FCL (PCS)
	TOTAL LENGTH	SEAT WIDTH	TOTAL HEIGHT	SEAT HEIGHT	WHEEL DIA	SEAT DEPTH	BACKREST HEIGHT	WEIGHT CAP.(KG)	NW(KG)	GW(KG)	CARTON SIZE (CM)			
JL899	54	46	83	44	-	35	44	100	18	20.5	84*54*36	4	725	1810
JL898	40	38	38	37	-	40	-	100	6.3	7.3	72*39.5*26	4	1450	3620
JL897	40	38	47	47	-	40	-	100	15.5	17.5	63*40*44	6	1500	3730
JLC00401	57	53	70-80	42-52	-	38	28	100	5.8	7	55*23*88	1	250	600
JLC00501	40	48	85	51	3"	37	38	100	4.7	5.9	104*24*52	1	210	520
JLC00701	50	40	83-96	43-56	-	40	38	180	4.3	5.2	55*20*52.5	1	480	1180

MODEL	Icons											PCS/CN	20" FCL (PCS)	40" FCL (PCS)
	TOTAL LENGTH	SEAT WIDTH	TOTAL HEIGHT	SEAT HEIGHT	WHEEL DIA	SEAT DEPTH	BACKREST HEIGHT	WEIGHT CAP.(KG)	NW(KG)	GW(KG)	CARTON SIZE (CM)			
JL696	52	42	75-85	47-57	3"	40	30	100	8	9	54.5*21*76	1	320	780
JL894L	52	42	74-84	46-56	-	40	30	100	8	9	52*20*75	1	350	860
JL813	50	48	62-72	36-46	-	41	28	100	6.3	7.6	56*40*35.5	1	337	840
JL814	52.5	49	67.5-77.5	41-51	-	40	28	100	6.2	7.2	56*40*35.5	1	340	850
JL8801L	46	49	64-74	44-54	-	37	18	100	3.5	5	65*43*63	1	152	380
JL810	55	45	58-68	41-51	-	40	33	100	5.8	6.8	57*20.5*50	1	460	1145



JL7991L



JL7992LU



JLX00101



JL799L



JL793S



JL794LBS



JL794L



JL794LS



JL792



JL3641L



JL790



JL7901L



JL797L



JL7962L



JL7961L



JL796L

MODEL	TOTAL LENGTH	SEAT WIDTH	TOTAL HEIGHT	SEAT HEIGHT	SEAT DEPTH	BACKREST HEIGHT	WEIGHT CAP(KG)	NW(KG)	GW(KG)	CARTON SIZE (CM)	PCS/CN	20" FCL (PCS)	40" FCL (PCS)
JL7991L	64	64	84-94	46-56	42	38	100	13	15	70*45*52	2	330	820
JL7992LU	63	63	83-93	45-55	42	38	100	11	13.5	74*51*91.5	2	160	390
JLX00101	45	45	75-84	43-52	45	32	190	5	5.2	57*17*46	1	600	1510
JL799L	55	68	83-96	46-56	41	38	110	8.4	9.5	74*22*46	2	720	1785
JL793S	46.5	40	50	14	40	38.5	110	8.8	11.8	75*56*45	2	285	706
JL794LBS	39	41	46	8	22	39	110	5	6	46*41*36	2	795	1970
JL794L	22	41	18	7	22	-	110	2.8	3.8	76*26*28	2	970	2420
JL794LS	22	41	18	8	22	-	110	3.2	3.6	42*23.5*21.5	2	2530	6300

MODEL	TOTAL LENGTH	SEAT WIDTH	TOTAL HEIGHT	SEAT HEIGHT	SEAT DEPTH	BACKREST HEIGHT	WEIGHT CAP(KG)	NW(KG)	GW(KG)	CARTON SIZE (CM)	PCS/CN	20" FCL (PCS)	40" FCL (PCS)
JL792	58	40	80-90	49-59	36	35	100	9.2	10.6	69*51*56	2	280	680
JL3641L	56.5	50	85.5-98	50-62.5	34	37.5	100	4.7	5.4	51*37*26.5	1	540	1350
JL790	50	38	52	46	30	-	110	7	8.5	51*18*72	2	815	2025
JL7901L	56	51	34-47	43-47	31	-	100	2.3	2.9	57*10.5*56	1	800	1990
JL797L	51	57	39-49	35-45	31	-	110	3.6	4.2	35*17*60	2	1500	3750
JL7962L	51	41	73-83	34-44	37	41	100	7.4	8.8	59*49*75	2	250	620
JL7961L	54	41	35-45	35-45	38	-	110	3.9	4.9	49*28*50	2	785	1950
JL796L	61.5	42	70-80	35-45	38	36	110	6.5	7	53*25*54	2	752	1870



JL780LH



JL797LH



JL798LH



JL738LQ



JL798L



JL736LQ



JL738LH



JL7361LQH



JL736LH



JL736L



JL780L



JL7801



JL569



JL781L



JL568



JL7802



JL570



JL571

MODEL	Icons										PCS/CN	20' FCL (PCS)	40' FCL (PCS)
	TOTAL LENGTH	SEAT WIDTH	TOTAL HEIGHT	SEAT HEIGHT	SEAT DEPTH	BACKREST HEIGHT	WEIGHT CAP (KG)	NW (KG)	GW (KG)	CARTON SIZE (CM)			
JL780LH	33	32	38-56	38-56	32	-	136	9.6	10.5	37*44*50	6	1965	4935
JL797LH	39	50.5	39-49	35-45	30.5	-	136	3.6	4.3	37*20*65	2	1120	2785
JL798LH	44	50	75-85	35-45	38	36	136	6.2	7	36*34*61.5	2	715	1778
JL738LH	53.5	42	35-45	35-45	38	33	136	5.2	6.2	66*23*37	2	960	2385
JL7361LQH	50	40	71-81	37-47	41	-	136	5.4	6.1	35*27*65	2	878	2180
JL736LH	50	40	71-81	37-47	41	36	136	6.2	7.1	40*30*65	2	690	1718
JL569	47	41	2	26	22	-	110	10	11.2	48*42*41.5	2	645	1600
JL781L	23	41	21-26	21-26	22	-	110	2.4	3	46*26*26	2	1736	4310
JL568	25	41	15	15	22	-	110	3.2	3.7	42*26*17	2	2039	5065

MODEL	Icons										PCS/CN	20' FCL (PCS)	40' FCL (PCS)
	TOTAL LENGTH	SEAT WIDTH	TOTAL HEIGHT	SEAT HEIGHT	SEAT DEPTH	BACKREST HEIGHT	WEIGHT CAP (KG)	NW (KG)	GW (KG)	CARTON SIZE (CM)			
JL738LQ	45	50	66-76	33-43	38	36	110	5	5.8	39*23*61.5	2	980	2430
JL798L	44	51	75-85	35-45	31	42	110	5	5.8	39*23*61.5	2	980	2430
JL736LQ	46	40	69-79	36-46	33	35	110	6.4	7.3	40*32*65	2	649	1610
JL736L	47	40	71-81	37-47	33	36	110	6.2	7.1	40*30*62	2	728	1801
JL780L	33	32	38-56	38-56	32	-	110	1.5	1.8	42*7.5*36	1	2380	5900
JL7801	46	30	76	45	30	-	110	1.5	1.8	42*7.5*36	1	2380	5900
JL7802	38	36	41-58	38	36	-	110	3	3.5	40*40*45	1	375	971
JL570	61	33.4	20	-	-	-	100	2.64	3.36	35*79*2	1	4880	12100
JL571	61	33.4	20	-	-	-	100	2.64	3.36	35*79*2	1	4880	12100



JLX00201



JLX00202



JL7952



JL7951



JLX00203



JL7942



JL7955



JL7956



JL7944

MODEL									PCS/CN	20" FCL (PCS)	40" FCL (PCS)
	TOTAL LENGTH	SEAT WIDTH	TOTAL HEIGHT	SEAT HEIGHT	WEIGHT CAP(KG)	NW(KG)	GW(KG)	CARTON SIZE (CM)			
JLX00201	38	40	42	42	180	2	2.5	49*9.5*43cm	1	1390	3390
JLX00202	40	36	46	47	100	2.42	3.52	54.5*47.5*25	1	430	1040
JL7952	38	35	36	-	100	1.78	5.8	39*9.5*35	1	2090	5170
JL7951	40	49	44-49	40-46	110	5.1	5.8	50*17*44	1	722	1790
JLX00203	38	38	40-50	40-50	100	8.1	9	57.5*39*25	2	980	2400
JL7942	21	25	55	-	100	2.4	3	22*18*56	1	1250	3050
JL7955	52	60	87-90	-	180	3.42	4.22	53.5*14*65	1	560	1380
JL7956	52	60	66.5-79	-	180	2.44	3.04	49*12*65	1	710	1750
JL7944	-	-	-	-	100	6.5	7.5	58*38*46	5	1330	3300



JL7958

JL7959

JL7977

JL7947

SPECIFICATIONS:12"16",18",24" STAINLESS STEEL GRAB BAR SPECIFICATIONS:12"16",18",24" SPECIFICATIONS:12",18",24"



JL7945



JL7946



JL7957



JL7948



JL7943



JL7941

MODEL									PCS/CN	20" FCL (PCS)	40" FCL (PCS)
	TOTAL LENGTH	SEAT WIDTH	TOTAL HEIGHT	SEAT HEIGHT	WEIGHT CAP(KG)	NW(KG)	GW(KG)	CARTON SIZE (CM)			
JL7958	-	-	-	-	-	-	-	-	-	-	-
JL7959	-	-	-	-	-	-	-	-	-	-	-
JL7977	-	-	-	-	-	-	-	-	-	-	-
JL7947(S)	-	-	-	-	-	34	35.5	105*42*21	-	-	-
JL7947(M)	-	-	-	-	-	36	37.6	105*48*21	-	-	-
JL7947(L)	-	-	-	-	-	39.5	40.9	105*50*21	-	-	-
JL7945	-	-	-	-	-	20.5	21.8	65*58*20	10	3580	8875
JL7946	-	-	-	-	-	5.82	6.5	44*42*18	4	3240	8050
JL7957	-	-	-	-	-	1	1.36	62.5*9*21	1	4000	10000
JL7948	-	-	-	-	-	23.5	24.4	65*28*40	10	3700	9200
JL7943	-	-	-	-	-	4.8	5.6	69*17*25	2	1840	4565
JL7941	-	-	-	-	-	3	3.3	16*17.5*51	1	1890	4690





**JLW00105L**

LIGHTWEIGHT ALUMINUM, 8" PVC WHEELS PROVIDE MORE DURABLE, HANDLE HEIGHT ADJUSTABLE IN 6 INCREMENTS, BOTH FRONT AND REAR WHEELS REMOVABLE, MESH CLOTH BAG ATTACHED



**JL9189LH**

HEAVY DUTY RED ALUMINUM ALLOY LIGHTWEIGHT FRAME, EASY TO FOLD, CONVENIENT FOR THE ELDERLY TO CARRY OUT, HEIGHT ADJUSTABLE, FLEXIBLE FOR USING 10" CASTOR



**JL9181LH**

ALUMINUM FRAME, ADJUSTABLE HANDLE HEIGHT, SOFT PVC SEAT, HANDLE GRIPS WITH BRAKE SYSTEM, FOLDABLE FOOTREST, 8" FRONT CASTOR DETACHABLE FRONT WHEEL



**JL9180LH**

ALUMINUM FRAME, ADJUSTABLE HANDLE HEIGHT, SOFT PVC SEAT, HANDLE GRIPS WITH BRAKE SYSTEM, WITH BAG



**JLW00102L**

ALUMINUM ALLOY FRAME, 6-SPEED HANDLE HEIGHT ADJUSTMENT, BRAKE AND PARKING, SHOPPING BAG INCLUDED



**JLW00101L**

6 LEVEL ADJUSTMENTS CAN BE MADE FOR ARM, HIGH QUALITY PADDED, FOREARM SUPPORTS RELIEVE PRESSURE, BRAKE HANDLES CAN BE ADJUSTED, SHOPPING BAG ATTACHED

MODEL	UNFOLDED WIDTH	SEAT WIDTH	TOTAL HEIGHT	SEAT HEIGHT	REAR WHEEL DIA	FRONT WHEEL DIA	TOTAL LENGTH	SEAT DEPTH	BACKREST HEIGHT	WEIGHT CAP(KG)	NW(KG)	GW(KG)	CARTON SIZE (CM)	PCS/CN	20" FCL (PCS)	40" FCL (PCS)
JL9181LH	66	46	81-93	54	8"	8"	72	25	23-25	100	8.2	9.2	34*28.6*65	1	426	1060
JL9180LH	62	46	83-96	54	8"	8"	67	25	31-41	100	7.3	8.2	34*28.5*68	1	409	1015

MODEL	UNFOLDED WIDTH	SEAT WIDTH	TOTAL HEIGHT	SEAT HEIGHT	REAR WHEEL DIA	FRONT WHEEL DIA	TOTAL LENGTH	SEAT DEPTH	BACKREST HEIGHT	WEIGHT CAP(KG)	NW(KG)	GW(KG)	CARTON SIZE (CM)	PCS/CN	20" FCL (PCS)	40" FCL (PCS)
JLW00105L	61.5	50	82-95	55	8"	8"	70	25	-	100	5.8	6.6	63*46*23	1	410	1010
JL9189LH	62	45	79-87	55	8"	10"	71.5	22	-	100	8.7	10.2	72.5*25*80	1	190	465
JLW00102L	62	47	85-98	55	8"	8"	82	25	-	100	7.5	8.2	44*22*57	1	500	1230
JLW00101L	62	47	101-113	60	8"	10"	87	31	-	100	8.5	9.5	49*26*63	1	340	840



**JLW00104L**

2-IN-1 EURO STYLE, ALUMINUM LIGHTWEIGHT CONSTRUCTION, PUSH-BUTTON HEIGHT-ADJUSTABLE OPENING, HANDLE WITH RING BRAKE, MESH SEAT WITH PULL-UP STRAPS AND FOLDS EASILY, CANE HOLDER ATTACHED



**JLW00301L**

CARBON BRAZING FRAME, FOLDABLE AND EASY TO CARRY. HANDLE HEIGHT ADJUSTMENT WITH ONE BUTTON. EVA FOAM 8" FRONT AND REAR WHEELS. WITH BRAKE HANDLE



**JL9188LH**

ALUMINUM FRAME, ADJUSTABLE HANDLE HEIGHT, SOFT PVC SEAT, HANDLE GRIPS WITH BRAKE SYSTEM, DETACHABLE BACKREST, WITH BAG



**JL9912**

POWDER COATING STEEL FRAME, HANDLE GRIPS WITH SLOWLY BRAKE AND PARKING BRAKE SYSTEM, CAN BE FOLDED. ADJUSTABLE ANGLE OF INFRONT WHEEL WITH BASKET WITH LOCK BRAKE



**JL9913**

POWDER COATING STEEL FRAME, HANDLE GRIPS WITH SLOWLY BRAKE AND PARKING BRAKE SYSTEM, CAN BE FOLDED, ADJUSTABLE ANGLE OF INERONT WHEEL, WITH DETACHABLE BAG



**JL969H**

STEEL FRAME, ADJUSTABLE HANDLE HEIGHT, HANDLE GRIPS WITH BRAKE SYSTEM, WITH SHOPPING BASKET AND BAG



**JL914H**

STEEL FRAME, ADJUSTABLE HANDLE HEIGHT, SOFT PVC SEAT, HANDLE GRIPS WITH BRAKE SYSTEM, WITH SHOPPING BASKET

MODEL	UNFOLDED WIDTH	SEAT WIDTH	TOTAL HEIGHT	SEAT HEIGHT	REAR WHEEL DIA	FRONT WHEEL DIA	TOTAL LENGTH	SEAT DEPTH	BACKREST HEIGHT	WEIGHT CAP (KG)	NW(KG)	GW(KG)	CARTON SIZE (CM)	PCS/CN	20' FCL (PCS)	40' FCL (PCS)
JLW00104L	64	50	84-97	55	8"	8"	105	32	-	100	8.9	9.6	61*50*24.5	1	365	900
JLW00301L	60.5	46	87-95	55	8"	8"	67	25	24-34	100	6	9	70*25.5*85	1	175	440
JL9912	57	42	84	42.5	7"	7"	60.5	34	21	110	7.5	9.3	83*57*37	1	154	382
JL9913	52	42	94	43	7"	7"	55	34.5	28	110	6.6	8.3	92*50*33	1	181	451

MODEL	UNFOLDED WIDTH	SEAT WIDTH	TOTAL HEIGHT	SEAT HEIGHT	REAR WHEEL DIA	FRONT WHEEL DIA	TOTAL LENGTH	SEAT DEPTH	BACKREST HEIGHT	WEIGHT CAP (KG)	NW(KG)	GW(KG)	CARTON SIZE (CM)	PCS/CN	20' FCL (PCS)	40' FCL (PCS)
JL9188LH	60	43	84-102	54-62	8"	8"	67	33	26	100	6.7	8	60*53.5*17	1	500	1230
JL969H	65	-	82-97	-	8"	8"	58	-	-	110	7.4	8.5	64*23*71	1	258	641
JL914H	62	43	77-91	62	8"	8"	69	16	-	110	10.3	11.3	58*26*70	1	255	630



**JL965LH**

LIQUID COATED ALUMINUM FRAME, ADJUSTABLE HANDLE HEIGHT, UPHOLSTERED SEAT, HANDLE GRIPS WITH BRAKE SYSTEM, DETACHABLE PADDED BACKREST, WITH WIRE BASKET, 8" SOLID CASTOR



**JL966LH**

LIQUID COATED ALUMINUM FRAME, ADJUSTABLE HANDLE HEIGHT, UPHOLSTERED SEAT, HANDLE GRIPS WITH BRAKE SYSTEM, DETACHABLE PADDED BACKREST, WITH WIRE BASKET, 6" SOLID CASTOR



**JL9192**

CONSTRUCTED WITH STEEL, 8" PVC WHEELS, HEIGHT ADJUSTABLE, PU KNEE PADS, ATTACHED REMOVABLE SHOPPING BAG



**JL9190**

CONSTRUCTED WITH STEEL, 8" PVC WHEELS, HEIGHT ADJUSTABLE, PU KNEE PADS, ATTACHED REMOVABLE SHOPPING BAG



**JL965LHT**

LIQUID COATED ALUMINUM FRAME, ADJUSTABLE HANDLE HEIGHT, HANDLE GRIPS WITH BRAKE SYSTEM, DETACHABLE PADDED BACKREST, SHOPPING BASKET, FOLDABLE FOOTREST



**JL964LH**

LIQUID COATED ALUMINUM FRAME, WITH PU PUSH PADDLE & BRAKE SYSTEM, HEIGHT ADJUSTABLE, 200\*50 PU CASTORS



**JL9191**

CONSTRUCTED WITH STEEL, 8" PVC WHEELS, HEIGHT ADJUSTABLE, PU KNEE PADS, ATTACHED REMOVABLE SHOPPING BAG



**JLZ00101**

REHABILITATION TRAINING WALKER DURABLE HIGH-STRENGTH STEEL CONSTRUCTION, ADJUSTABLE LAP BELT TO SECURE YOUR CENTER OF GRAVITY, BRAKES CAN BE MOUNTED ON EITHER SIDE, SEAT ADJUSTABLE

MODEL	UNFOLDED WIDTH	SEAT WIDTH	TOTAL HEIGHT	SEAT HEIGHT	REAR WHEEL DIA	FRONT WHEEL DIA	TOTAL LENGTH	SEAT DEPTH	BACKREST HEIGHT	WEIGHT CAP (KG)	NW (KG)	GW (KG)	CARTON SIZE (CM)	PCS/CN	20" FCL (PCS)	40" FCL (PCS)
JL965LH	62	45.5	79-91	56	8"	8"	69	32	25	110	8	9	60*22*83.5	1	250	610
JL966LH	62	45.5	81-91	56	6"	6"	62	32	24	110	7.3	8.6	62*23*83	1	230	570
JL965LHT	62	45.5	79-91	55	8"	8"	94	32	23	110	8	9	60*22*83.5	1	245	607
JL964LH	74	56	115-126	55	8"	8"	69	30	-	200	13.8	15	73*22.5*86	1	195	478

MODEL	UNFOLDED WIDTH	SEAT WIDTH	TOTAL HEIGHT	SEAT HEIGHT	REAR WHEEL DIA	FRONT WHEEL DIA	TOTAL LENGTH	SEAT DEPTH	BACKREST HEIGHT	WEIGHT CAP (KG)	NW (KG)	GW (KG)	CARTON SIZE (CM)	PCS/CN	20" FCL (PCS)	40" FCL (PCS)
JL9192	92	-	86-107	-	9"	9"	-	-	-	100	9.7	11.3	71.5*29*88	1	147	367
JL9190	92	-	86-107	-	9"	9"	-	-	-	100	9.7	11.3	55.5*46*44	1	147	367
JL9191	92	-	86-107	-	9"	9"	-	-	-	100	9.7	11.3	73.5*44*27	1	147	367
JLZ00101	65	-	90	69-86	8"	8"	85	-	-	100	9	10	64*21*67	1	300	750



JL9633L



JLZ00201



JLZ00301



JLZ00401



JLZ00202



JL961L



JLZ00501



JL9636L



JL9632L



JL963L



JL918L



JL9637L

MODEL									PCS/CN	20" FCL (PCS)	40" FCL (PCS)
	UNFOLDED WIDTH	SEAT WIDTH	TOTAL HEIGHT	WHEEL DIA	WEIGHT CAP(KG)	NW(KG)	GW(KG)	CARTON SIZE (CM)	PCS/CN	20" FCL (PCS)	40" FCL (PCS)
JL9633L	55	50	52-100	-	100	4.4	6	57*22*87	1	250	620
JLZ00201	53	44	78-89	5"	100	5	6.3	54*35.5*76	1	185	460
JLZ00202	53	44	78-89	-	100	5	6.3	54*35.5*76	1	185	460
JL961L	55	46	75-92	-	100	13.6	15	59*33*76	4	730	1810
JL9632L	55	50	82*100	-	100	10	11.4	56*28*85	4	810	2010
JL963L	56	46	77-95	-	100	10	11.4	54*30*79	4	840	2090

MODEL									PCS/CN	20" FCL (PCS)	40" FCL (PCS)
	UNFOLDED WIDTH	SEAT WIDTH	TOTAL HEIGHT	WHEEL DIA	WEIGHT CAP(KG)	NW(KG)	GW(KG)	CARTON SIZE (CM)	PCS/CN	20" FCL (PCS)	40" FCL (PCS)
JLZ00301	59	45	80-90	5"	100	11	12.4	61.5*35*84	4	600	1480
JLZ00401	52	44	106-121	5"	100	4.15	5.35	54*15*81	1	420	1020
JLZ00501	76	45	116-149	5"	100	3.7	4.7	54*15*81	1	420	1030
JL9636L	66.5	64	81-99	8"	100	4	5.3	72*15.5*89	1	271	674
JL918L	58	53	80-90	2"	100	10	11.5	60.5*32*85	4	655	1628
JL9637L	75	45	85-110	5"	100	12	13.4	64.5*31*82	4	369	915



JL913L(S)  
JL913L



JL9125L  
JL912L



JL967LW  
JL967L



JL915L



JL919LT  
JL919L



JL9162L



JL9124L



JL9122L



JL9123L(L)



JL9123L(S)



JL9143



JL9101

MODEL									PCS/CN	20" FCL (PCS)	40" FCL (PCS)
	UNFOLDED WIDTH	SEAT WIDTH	TOTAL HEIGHT	WHEEL DIA	WEIGHT CAP(KG)	NW(KG)	GW(KG)	CARTON SIZE (CM)	PCS/CN	20" FCL (PCS)	40" FCL (PCS)
JL913L	57	46	78-96	-	100	9.6	11	54*30*79	4	840	2100
JL912L	63.5	50	78-86	4"	100	11	13.4	62*30*82	4	685	1700
JL967L	58	45	79-97	-	100	10.8	12.2	54*30*75	4	886	2202
JL915L	52	46	78-96	-	100	10.4	11.6	54*30*79	4	840	2100
JL919L	57	46	78-96	-	100	9.6	11.8	54*30*79	4	840	2100
JL9162L	55	55	62-75	-	100	2.2	2.7	54*13*38	1	1000	2500

MODEL									PCS/CN	20" FCL (PCS)	40" FCL (PCS)
	UNFOLDED WIDTH	SEAT WIDTH	TOTAL HEIGHT	WHEEL DIA	WEIGHT CAP(KG)	NW(KG)	GW(KG)	CARTON SIZE (CM)	PCS/CN	20" FCL (PCS)	40" FCL (PCS)
JL9124L	52	70	48-59	4"	100	8	9.2	68*15*96	1	420	1050
JL9122L	52	50	45-55	3"	100	5.9	7.5	66*26.5*91	2	440	670
JL9123L(L)	67.5	85.5	85-104	5"	100	10	12	83*20*97	2	340	840
JL9123L(S)	69	72	60-80	4"	100	8	9.3	80*19*75	2	472	1175
JL9143	46	32	50-62	6"	100	3.9	4.5	47*17*56	1	602	1496
JL9101	62	38	57-81	3"	100	5.5	6.2	67*12*40	1	835	2080



JL914L



JL9145L(S)



JL9141



JLQ00301L



JL917L(L/M/S)



JL9144



JL9102L



JL9103



JL9104



JL9100L

MODEL	UNFOLDED WIDTH	SEAT WIDTH	TOTAL HEIGHT	WHEEL DIA	WEIGHT CAP(KG)	NW(KG)	GW(KG)	CARTON SIZE (CM)	PCS/CTN	20' FCL (PCS)	40' FCL (PCS)
JL914L	60	51	82-92	4"	100	7.5	9.2	61*36*91	2	270	670
JL9145L(S)	53	41	48-58	-	100	2.8	3.8	54*21*60	2	792	1965
JL9141	58	46	76-94	4.5"	100	4.1	4.9	53*15*73	1	465	1153
JLQ00301L	54	46	78-83	-	100	1.5	2	37*16*54	1	830	2090
JL917L(S)	51	42	65-75	-	100	13.6	15.8	76*66*35	10	1550	3580
JL917L(M)	53	43	75-85	-	100	14.4	16.8	86*68*35	10	1350	3300
JL917L(L)	55	44	85-95	-	100	15.1	17.8	96*68*35	10	1200	2950
JL9144	59	54	84.5-101	4"	100	4.4	5.7	60*20*94	1	240	600

MODEL	UNFOLDED WIDTH	SEAT WIDTH	TOTAL HEIGHT	WHEEL DIA	WEIGHT CAP(KG)	NW(KG)	GW(KG)	CARTON SIZE (CM)	PCS/CTN	20' FCL (PCS)	40' FCL (PCS)
JL9102L	65	73	110-133	5"	100	11.6	13.1	75*22.5*89	1	179	446
JL9103	60	65	115-140	10"	100	18	20	87*73*23	1	184	458
JL9104	73	88.5	110-133	5"	100	11.5	13.9	89.5*74*34	1	120	295
JL9100L	83.5	62.5	106-121	8"	100	7.5	8.8	63*30*98	1	145	360



MODEL	TOTAL HEIGHT	WEIGHT CAP(KG)	NW(KG)	GW(KG)	CARTON SIZE (CM)	PCS/CN
JL9301L-2	71-94	100	7.2	7.7	74*30*21	20
JL9208L	71-94	100	7.2	7.7	74*30*21	20
JL9451	72-94	100	7.2	7.7	74*30*21	20

MODEL	TOTAL HEIGHT	WEIGHT CAP(KG)	NW(KG)	GW(KG)	CARTON SIZE (CM)	PCS/CN
JL9207LW-3	71-49	100	7.2	7.7	74*30*21	20
JL9207LW-2	71-49	100	7.2	7.7	74*30*21	20
JL9450	78-97.5	100	10	11	70*34*45	20



MODEL	TOTAL HEIGHT	WEIGHT CAP(KG)	NW(KG)	GW(KG)	CARTON SIZE (CM)	PCS/CN
JL910L	90	100	6.5	7.5	95*15*26	20
JL920L	71-94	100	7.1	7.6	65*16*27	20
JL9206L	70-93	100	7.1	7.6	65*16*27	20
JL930L	70-93	100	6.8	7.4	65*16*27	20
JL9301L	70-93	100	10	10.6	69*18*27	20
JL9306L	69-92	100	7.1	7.6	65*16*27	20

MODEL	TOTAL HEIGHT	WEIGHT CAP(KG)	NW(KG)	GW(KG)	CARTON SIZE (CM)	PCS/CN
JL910L(a)	90	100	6.5	7.5	95*15*26	20
JL910L(b)	90	100	6.5	7.5	95*15*26	20
JL910L(c)	90	100	6.5	7.5	95*15*26	20
JL920L(2)	71-94	100	7.1	7.6	65*16*27	20
JL920L(3)	71-94	100	7.1	7.6	65*16*27	20
JL920L(7)	71-94	100	7.1	7.6	65*16*27	20



JL939L JL9211L JL9212L JL9287L JLG00402L JLG00302



JL9233L JL927L JL9276L JL9274L JLG00401 JLG00501

MODEL	TOTAL HEIGHT	WEIGHT CAP(KG)	NW(KG)	GW(KG)	CARTON SIZE (CM)	PCS/CN
JL939L	79-102	100	6.5	7	65*16*27	20
JL9211L	71-96	100	7	8	70*37*20	20
JL9212L	73-96	100	9.1	9.7	70*47.5*15.5	20
JL9287L	77.5-100	100	7.1	7.6	74*30*24	20
JLG00402L	74-97	100	0.3	0.5	70*15.7*3.8	1
JLG00302	80-100	100	0.72	1.35	20.5*8*72	1

MODEL	TOTAL HEIGHT	WEIGHT CAP(KG)	NW(KG)	GW(KG)	CARTON SIZE (CM)	PCS/CN
JL9233L	81-91.5	100	9.1	9.7	70*30*22	20
JL927L	80-90	100	7.2	7.7	61*17*23	20
JL9276L	80-90	100	7.2	7.6	61*13*23	20
JL9274L	83.5-93.5	100	8	8.8	74*30*22	20
JLG00401	79-96.5	100	0.37	0.5	75*34.5*54.5	20
JLG00501	80-103	100	23	24	81*45*48	30



JL9280L JL9281L JL938L JL9283L JL9300L JL936L JL9361L



JL937L-1 JL937L-2 JL937L-3 JL937L-4 JL937L-5 JL937L-6

MODEL	TOTAL HEIGHT	WEIGHT CAP(KG)	NW(KG)	GW(KG)	CARTON SIZE (CM)	PCS/CN
JL9280L	75-98	100	6.2	7.3	77*33*17	20
JL9281L	75-98	100	6.2	7.3	77*33*17	20
JL938L	76-99	100	6	7	76*43*15	20
JL9283L	76-99	100	6	7	76*43*15	20
JL9300L	76-99	100	7.5	8.5	75*36*15	20
JL936L	33-119	100	9.1	9.7	65*17*22	40
JL9361L	33-119	100	9.1	9.7	65*17*22	40

MODEL	TOTAL HEIGHT	WEIGHT CAP(KG)	NW(KG)	GW(KG)	CARTON SIZE (CM)	PCS/CN
JL937L-1	95-118	100	9.6	10.8	101*31*31	20
JL937L-2	95-118	100	9.6	10.8	101*31*31	20
JL937L-3	95-118	100	9.6	10.8	101*31*31	20
JL937L-4	95-118	100	9.6	10.8	101*31*31	20
JL937L-5	95-118	100	9.6	10.8	101*31*31	20
JL937L-6	95-118	100	9.6	10.8	101*31*31	20





JL9335L JL933LH JL933L(XL) JL933L(L) JL933L(M) JL933L(S)



JL923L JL9331L JLG00101 JL933A JL9314L JLG00201

MODEL	TOTAL HEIGHT	WEIGHT CAP(KG)	NW(KG)	GW(KG)	CARTON SIZE (CM)	PCS/CN
JL9335L	87-117	100	10.6	11.6	88*31*31	20
JL933LH	95-125	100	11	13	94*31*31	20
JL933L(XL)	108-138	100	11.2	11.5	107*31*31	20
JL933L(L)	95-125	100	11	12	94*31*31	20
JL933L(M)	87-117	100	10.6	11.6	88*31*31	20
JL933L(S)	79-109	100	10	11	88*31*31	20

MODEL	TOTAL HEIGHT	WEIGHT CAP(KG)	NW(KG)	GW(KG)	CARTON SIZE (CM)	PCS/CN
JL923L	85-116	100	9.8	10.7	85*28*31	20
JL9331L	96-127	100	11.6	12.9	94*31*36	20
JL933A	85-116	100	0.4	9	86*24*34	20
JLG00101	98-128	100	8	9.3	141*32*31	10
JL9314L	105-128	100	17	20	119*58*45	20
JLG00201	94-138	100	1.13	1.7	68*19.5*4.5	1



JL921L JL921 JL931L JL931 JL924L JL924



JL922 JL947 JL9480L JL9481L JL932 JL9261 JL926

MODEL	TOTAL HEIGHT	WEIGHT CAP(KG)	NW(KG)	GW(KG)	CARTON SIZE (CM)	PCS/CN
JL921L	73-96	100	7	8.5	80*37*47	10
JL921	72-95	100	8.8	10.5	80*35*45	10
JL931L	73-96	100	7	8.5	80*37*47	10
JL931	72-95	100	8.8	10.5	80*35*47	10
JL924L	66-88	100	8.1	9.3	79*30*34	10
JL924	65-88	100	8.1	9.3	79*30*34	10

MODEL	TOTAL HEIGHT	WEIGHT CAP(KG)	NW(KG)	GW(KG)	CARTON SIZE (CM)	PCS/CN
JL922	64-87	100	7.9	9.3	81*31*39	10
JL947	72-95	100	8	9.3	76*34*39	10
JL9480L	70-93	100	5.8	7.1	123*20.5*37.5	10
JL9481L	71-94	100	11	12.9	123*20.5*68	20
JL932	73-96	100	8.5	9.8	82*28*42	10
JL9261	79-102	100	8.2	9.3	86*30*34	10
JL926	73-96	100	7.9	9.2	79*30*34	10



JL9402L

JL911L

JL925L(S/M/L)

JL935(S/M/L)

JL9254L



JL9255



JL836L



JL9213L



JL837L

MODEL	TOTAL HEIGHT	WEIGHT CAP(KG)	NW(KG)	GW(KG)	CARTON SIZE (CM)	PCS/CN
JL9402L	78/49	100	8.5	9.9	89*27*44	10
JL911L	84/49	100	9	10	85*30*39	10
JL925L(S)	95-115	100	14.7	16.1	101*32*31	20
JL925L(M)	115-135	100	15.9	17.6	121*32*31	20
JL925L(L)	135-155	100	17.5	19.2	141*32*31	20
JL935(S)	98-118	100	16.3	17.4	104*34*29	20
JL935(M)	113-133	100	17.4	18.7	119*34*29	20

MODEL	TOTAL HEIGHT	WEIGHT CAP(KG)	NW(KG)	GW(KG)	CARTON SIZE (CM)	PCS/CN
JL935(L)	128-148	100	18.9	20.3	134*34*29	20
JL9254L	99-130	100	18.3	20	119*21*42	20
JL9255	132-167.5	180	1.2	1.6	29*6.5*71.5	1
JL836L	81	-	0.33	10.9	84*35*25	30
JL9213L	86-104	100	17	19.6	93*48*89	10
JL837L	55	-	1.44	16.1	91*29*52	10



JL1302



JL1303



JL1304



JL1305



JL1306



JL1307



JL1308



JL1309



**JL250**

MULTI-FUNCTION ELECTRIC ICU BED

- 1) 1 PAIR HEAD AND FOOT BOARDS
- 2) 4 PCS EUROPEAN STYLE LONG&LONG COMBINATION GUARDRAIL
- 3) 2 PCS LIFTING COLUMNS ACTUATORS AND 3 PCS ACTUATORS
- 4) 1 PC LCD NURSE GENERAL CONTROLLER
- 5) 2 PCS BUILD-IN CONTROLLER EMBEDDED BED SIDE BOARD
- 6) 4 PCS ANGLE DISPLAY DEVICES
- 7) 4 PCS 6" CENTRAL LOCKING CASTORS
- 8) 4 PCS BRAKING PEDALS ON FOUR CORNERS
- 9) 4 PCS BUMPER WHEELS
- 10) 4 PCS IV POLE HOLES
- 11) 4 PCS DRAINAGE BAG HOOKS

OPTION:

- 1) SCALE FUNCTION
  - 2) STEEL BED SURFACE
  - 3) LIFTING POLE
  - 4) FOOT SWITCH
- SIZE: 2260×1060×520-780MM



**JL258**

MULTI-FUNCTION ELECTRIC WEIGHTING CARE BED

- 1) ADVANCED MEDICAL ELECTRICAL MOTORS SYSTEM, (4 PCS MOTORS, 1 PC CONTROL BOX, 1 PC HANDSET)
- 2) COLD STEEL PLATE WHOLLY MOLDED SURFACE, CONNECTED WITH ABS SOFT JOIN.
- 3) P. P HEAD AND FOOT BOARD;
- 4) LUXURY FOUR-FOLD P.P GUARDRAILS, EASY TO LIFT UP AND DOWN BY GAS SPRING, WITH PUSH BUT TONS ON GUARDRAILS;
- 5) PEDAL CENTRAL-CONTROLLED CASTR BRAKESYSTEM
- 6) CPR FUNCTION
- 7) ACP BUTTON FOOTBOARD& GUARDRAIL CONVENIENCE FOR NURSING OPERATION;
- 8) LCD SCREEN, AND WEIGHTING FUCNTION FREELY.

ACCESSORIES:

- 1) I.V. POLE;
- PARAMETER: .
- 1) ANGLE OF BACK SECTION: 0~80° (±5°)
  - 2) ANGLE OF LEG SECTION: 0~40° (±5°)
  - 3) ADJUSTABLE HEIGHT: 500-750MM
  - 4) ANGLE OF TRENDLENBURG SECTION: 0~12° (+2°)
  - 5) SIZE: L 2150×W1100×H500-750MM



**JL260**

FIVE FUNCTIO ELECTRIC BED

- 1) ADVANCED MEDICAL ELECTRICAL MOTOR SYSTEM, (4 PCS MOTORS, 1 PCS CONTROL BOX, 1 PCS HANDSET);
- 2) COLD STEEL PLATE WHOLLY MOLDED SURFACE, CONNECTED WITH ABS SOFT JOIN.
- 3) P.P HEAD AND FOOT BOARD;
- 4) LUXURY FOUR-FOLD P.P GUARDRAILS, EASY TO LIFT UP AND DOWN BY GAS SPRING;
- 5) PEDAL CENTRAL-CONTROLLED CASTER BRAKE SYSTEM;
- 6) ELECTRIC CPR FUNCTION
- 7) LUXURY HANDLE PANEL, WITH LCO SHOWING BED FUNCTIONS

ACCESSORIES:

- 1) I.V. POLE;
- PARAMETER:
- 1) ANGLE OF BACK SECTION: 0 -80°(±5)
  - 2) ANGLE OF LEG SECTION: 0~40°(±5°)
  - 3) ADJUSTABLE HEIGHT: 500-750 MM
  - 4) ANGLE OF TRENDLENBURG SECTION: 0~12°(±2°)
  - 5) SIZE: L2260×W1060×H430-720MM



**JL257**

FIVE FUNCTIO ELECTRIC BED

- 1) ADVANCED MEDICAL ELECTRICAL MOTOR SYSTEM, (4 PCS MOTORS, 1 PC CONTROL BOX, 1 PC HANDSET);
- 2) COLD STEEL PLATE WHOLLY MOLDED SURFACE, CONNECTED WITH ABS SOFT JOIN.
- 3) P.P HEAD AND FOOT BOARD;
- 4) LUXURY FOUR-FOLD P.P GUARDRAILS, EASY TO LIFT UP AND DOWN BY GAS SPRING;
- 5) PEDAL CENTRAL-CONTROLLED CASTOR BRAKE SYSTEM;

ACCESSORIES:

- 1) I.V. POLE;
- PARAMETER:
- 1) ANGLE OF BACK SECTION: 0 -80°(±5)
  - 2) ANGLE OF LEG SECTION: 0~40°(±5°)
  - 3) ADJUSTABLE HEIGHT: 500-750 MM
  - 4) ANGLE OF TRENDLENBURG SECTION: 0~12°(±2°)
  - 5) SIZE: L2120×W1100×H500-750MM



**JL255**

- THREE FUNCTION MANUAL BED
- 1)THREE MANUAL CRANK SYSTEM;
  - 2)COLD STEEL PLATE WHOLLY MOLDED SURFACE.
  - 3)P.P HEAD AND FOOT BOARD;
  - 4)ALUMINUM ALLOY GUARDRAILS, WHICH CAN BE FOLDABLE UP AND DOWN EASILY;
  - 5)5" WHITE NOISELESS CASTOR
- ACCESSORIES:
- 1)I.V.POLE;
- PARAMETER:
- 1)ANGLE OF BACK SECTION: 0~80°(±5°)
  - 2)ANGLE OF LEG SECTION: 0~ 40°(±5°)
  - 3)ADJUSTABLE HEIGHT: 500-750MM
  - 4)SIZE: L2150×W980×H450-740MM

**JL256**

- TWO FUNCTION MANUAL BED
- 1)TWO MANUAL CRANK SYSTEM;
  - 2)COLD STEEL PLATE WHOLLY MOLDED SURFACE.
  - 3)P.P HEAD AND FOOT BOARD;
  - 4)ALUMINUM ALLOY GUARDRAILS, WHICH CAN BE FOLDABLE UP AND DOWN EASILY;
  - 5)5" WHITE NOISELESS CASTER;
- ACCESSORIES:
- 1)I.V.POLE;
- PARAMETER:
- 1)ANGLE OF BACK SECTION: 0~80°(±5°)
  - 2)ANGLE OF LEG SECTION: 0~ 40°(±5°)
  - 3)SIZE: L2120 × W970×H485MM



**JL256C**

- TWO FUNCTION MANUAL BED
- 1)TWO MANUAL CRANK SYSTEM;
  - 2)COLD STEEL PLATE WHOLLY MOLDED SURFACE.
  - 3)P.P HEAD AND FOOT BOARD;
  - 4)ALUMINUM ALLOY GUARDRAILS, WHICH CAN BE FOLDABLE UP AND DOWN EASILY;
  - 5)5" WHITE NOISELESS CASTOR;
- ACCESSORIES:
- 1)I.V.POLE;
- PARAMETER:
- 1)ANGLE OF BACK SECTION: 0~80°(±5°)
  - 2)ANGLE OF LEG SECTION: 0~40°(±5°)
  - 3)SIZE: L2120×W970×H485MM



**JL8100**

- TWO FUNCTION MANUAL BED
- 1)TWO MANUAL CRANK SYSTEM;
  - 2)COLD STEEL PLATE WHOLLY MOLDED SURFACE.
  - 3)WOODEN HEAD AND FOOT BOARD, SIDE WOOD PANEL DECORATION, BEAUTY DESIGN, COMFORTABLE;
  - 4)ALUMINUM ALLOY GUARDRAILS, WHICH CAN BE FOLDABLE UP AND DOWN EASILY;
- ACCESSORIES:
- 1)I.V HOLES, AND URINE HOOKS.
- OPTIONAL CONFIGURATION: MATTRESS, OVER BED TABLE, ODDMENT SHELF, I.V.POLE
- PARAMETER:
- 1)ANGLE OF BACK SECTION: 0~80°(±5°)
  - 2)ANGLE OF LEG SECTION: 0~40°(±5°)
  - 3)SIZE: L2000×W970×H485MM



**JL8102**

- THREE FUNCTION ELECTRIC BED
- 1)ADVANCED MEDICAL ELECTRICAL MOTOR SYSTEM, (3 PCS MOTORS, 1PC CONTROL BOX, 1 PC HANDSET)
  - 2)COLD STEEL PLATE WHOLLY MOLDED SURFACE.
  - 3)WOOD HEAD AND FOOT BOARD AND SIDE DECOR;
  - 4)ALUMINUM ALLOY GUARDRAILS,WHICH CAN BE FOLDABLE UP AND DOWN EASILY;
  - 5)5"WHITE NOISELESS CASTOR;
- ACCESSORIES:
- 1)I.V.POLE;
- PARAMETER:
- 1)ANGLE OF BACK SECTION: 0~80°(±5°)
  - 2)ANGLE OF LEG SECTION: 0~ 40°(±5°)
  - 3)ADJUSTABLE HEIGHT: 500-750MIM
  - 4)SIZE: L2120×W970×H500-750MM



**JL8103**

- TWO FUNCTION ELECTRIC BED
- 1)ADVANCED MEDICAL MOTORS SYSTEM, (2 PCS MOTORS, 1 PC CONTROL BOX, 1 PC HANDSET)
  - 2)TUBING TYPE BED BOARD;
  - 3)WOODEN HEAD AND FOOT BOARD, BEAUTY DESIGN, COMFORTABLE, HOME FEELING;
  - 4)ALUMINUM ALLOY GUARDRAILS, WHICH CAN BE FOLDABLE UP AND DOWN EASILY;
- PARAMETER:
- 1)ANGLE OF BACK SECTION: 0~80°(±5°)
  - 2)ANGLE OF LEG SECTION: 0~ 40°(±5°)
  - 3)SIZE: SIZE: L2000×W970×H485MM





**JL633**

THREE FUNCTION MANUAL BED  
 1)THREE MANUAL CRANK SYSTEM;  
 2)COLD STEEL PLATE WHOLLY MOLDED SURFACE.  
 3)P.P HEAD AND FOOT BOARD;  
 4)ALUMINUM ALLOY GUADRAILS, WHICH CAN BE FOLDABLE UP AND DOWN EASILY;  
 5)5" WHITE NOISELESS CASTER  
 ACCESSORIES:  
 1)I.V.POLE;  
 PARAMETER:  
 1)ANGLE OF BACK SECTION: 0~80°(±5°)  
 2)ANGLE OF LEG SECTION: 0~ 40°(±5°)  
 3)ADJUSTABLE HEIGHT: 500-750MM  
 4)SIZE: L2120\*W970\*H500-750MM



**JL2561**

TWO FUNCTION MEDICAL BED WITH ABS HEAD & FOOT BOARD,ALUMINUM ALLOY SIDE RAIL, MUTE CASTORS AND EXCRETION FUNCTION

**JL635**

THREE FUNCTION ELECTRIC BED  
 1)ADVANCED MEDICAL MOTORS SYSTEM, (3 PCS MOTORS, 1 PCS CONTROL BOX, 1 PCS HANDSET)  
 2)COLD STEEL PLATE WHOLLY MOLDED SURFACE  
 3)P.P HEAD AND FOOT BOARD, EASY TO WASH  
 4)ALUMINUM ALLOY GUADRAILS, WHICH CAN BE FOLDABLE UPAND DOWN EASILY;  
 5)4" WHITE NOISELESS CASTOR;  
 ACCESSORIES:  
 1)I. V. POLE;  
 PARAMETER:  
 1)ANGLE OF BACK SECTION: 0 ~80°(±5° )  
 2)ANGLE OF LEG SECTION: 0~40°(±5° )  
 3)ADJUSTABLE HEIGHT: 210-580MM  
 4)SIZE: L2120\*W970\*H210-580MM



**JL310S**

SINGLE FUNCTION MANUAL BED  
 DETACHABLE ABS HEAD& FOOT BOARD  
 BAR POWDER COTAED STEEL BED PLATFORM



**JL636**

THREE FUNCTION ELECTRIC BED  
 1)ADVANCED MEDICAL ELECTRICAL MOTOR SYSTEM, (3 PCS MOTORS, 1 PCS CONTROL BOX, 1 PCS HANDEST)  
 2)COLD STEEL PLATE WHOLLY MOLDED SURFACE.  
 3)P.P HEAD AND FOOT BOARD;  
 4)ALUMINUM ALLOY GUADRAILS, WHICH CAN BE FOLDABLE UP AND DOWN EASILY;  
 5)5"WHITE NOISELESS CASTOR;  
 ACCESSORIES:  
 1)I.V.POLE;  
 PARAMETER:  
 1)ANGLE OF BACK SECTION: 0 ~80°(±5°)  
 2)ANGLE OF LEG SECTION: 0~ 40°(±5° )  
 3)ADJUSTABLE HEIGHT: 500-750MM  
 4)SIZE: L2120\*W970\*H500-750MM



**JL320**

THREE FUNCTION ELECTRIC BED  
 FUNCTION:  
 BACK SECTION UP&DOWN  
 KNEE SECTION UP&DOWN  
 THE WHOLE BED UP&DOWN  
 OPTION:  
 LUXURY CASTERS  
 1PC SHOE SHELF  
 UPS  
 ABS CENTRAL CONTROL PEDAL  
 STANDARD DEVICE:  
 1PAIR HEAD AND FOOT BOARDS  
 1PAIR EUROPEAN STYLE FULL COVERING SIDE RAILS  
 3PCS MOTORS  
 STAINLESS STEEL BRAKE  
 4PCS 5" CENTEAL LOCKING CASTORS  
 4PCS IV DRIP HOLES  
 4PCS DRAINAGE BAG HOOKS





**JLS102**

SIZE: 880×480×900MM  
 OPTION:  
 1PC MOSQUITO NET FRAME  
 1PC INFUSION STAND  
 1 SHEET OF MATTRESS



**JLS103**

SIZE: 880×480×900MM  
 OPTION:  
 1PC MOSQUITO NET FRAME  
 1PC INFUSION STAND  
 1 SHEETS OF MATTRESS



**JLS104**

SIZE: 800×480×900MM  
 FUNCTION:  
 TRENDLENBURG AND REVERSE TRENDLENBURG  
 STANDARD DEVICE:  
 4 PCS 4" DELUXE CASTORS WITH INDIVIDUAL BRAKE  
 1PC BABY BASIN



**JLS105**

SIZE: 800×480×900MM  
 OPTION:  
 1PC MOSQUITO NET FRAME  
 1PC INFUSION STAND  
 LITTLE RACK 1 INDIVIDUAL  
 1 SHEET OF MATTRESS



**JLC030-140**

EXAMINATION BED  
 SIZE L:1850×W:600×H:700MM

**JLC030-135**

EXAMINATION BED /MESSAGES BED  
 SIZE L:1850×W:600×H:700MM



**JLC030-130**

EXAMINATION BED /MESSAGES BED  
 SIZE L:1850×W:600×H:700MM

**JLC030-125**

EXAMINATION BED /MESSAGES BED  
 SIZE L:1850×W:600×H:700MM





**JLC071-030**

STAINLESS STEEL THERAPY-  
(CART WITH 2 DRAWERS)



**JLC074**

STAINLESS STEEL THERAPY  
(CART WITH 1 DRAWER)



**JLC072**

STAINLESS STEEL THERAPY



**JLZ101**



**JLZ102**



**JLZ103**



**JLZ104**



**JLZ105**



**JLZ106**



**JL563**

OVER BED TABLE  
SIZE L:770\*W:380\*H:720-1120MM



**JL564**

OVER BED TABLE  
SIZE L:545\*W:405\*H:560-850MM



**JL565**

OVER BED TABLE  
SIZE L:545\*W:405\*H:560-850MM



**JL566**

OVER BED TABLE  
SIZE L:605\*W:405\*H:715-1100MM



**JL5662**

OVER BED TABLE  
SIZE L:205\*565 W:385\*H:715-1100MM



**JL5663**

OVER BED TABLE  
SIZE L:770\*W:400\*H:780-1080MM



**JL960**

PEDAL EXERCISER



**JL9601**

PEDAL EXERCISER



**JL9602**

PEDAL EXERCISER



**JL667B**



**JL680B**



**JL661A**



**JL668B**



**JL669B**



**JL670B**



**JL669A**



**JLS401**



**JLS402**



**JLS403**



**JLB075-32** TWO PART  
**JLB075-33** THREE PART  
**JLB075-34** FOUR PART  
 STAINLESS STEEL FOLDING CURTAIN



**JL9102**  
 ELECTRIC PATIENT LIFT



**JL9100**  
 MANUAL PATIENT LIFT



**JL9140**  
 OXYGEN CONCENTRATOR 5LPM



**JL9150**  
 OXYGEN CONCENTRATOR 10LPM





**JLS301**

ALTERNATING PRESSURE MATTRESS  
WITH PUMP SIZE:2000×860×95MM



**JLS302**

ALTERNATING BUBBLE MATTRESS  
WITH PUMP SYSTEM  
SIZE:2000×900×70MM



**JLS303**

ALTERNATING PRESSURE MATTRESS  
WITH PUMP SIZE:2000×860×95MM



**JLS304**

MATTRESS  
SIZE:1950×860×80MM



**JLS305**

MATTRESS  
SIZE:1950×860×80MM



**JLS306**

MATTRESS  
SIZE:1950×860×70MM



**JL586**



**JL587**



**JL588**

460×380×40MM



**JL589**

450×450×50MM



**JL567**



**JL583**

440×440×70MM



**JL584**

440×440×70MM



**JL585**

430×430×60MM



JL661B

JL662B

JL663B

JL664B

JL665B



JL531



JL532



JL516



JL517



JL518



JL512



JL561



JL505



JL50



JL513



JL514



JL515



JLZF26



JLZF25



JLZF24



JL10-A

HEAD&FOOT BOARD  
DIMENSION:950×535MM/950×435MM  
HOOK DISTANCE:902MM



JL10-C

HEAD&FOOT BOARD  
DIMENSION:950×535MM/950×435MM  
HOOK DISTANCE:902MM



JL10-E

FIVE FUNCTIONS ELECTRIC HEAD&FOOT BOARD  
DIMENSION:920×535MM/920×450MM  
HOOK DISTANCE:575MM



JL10-G

HEAD&FOOT BOARD  
DIMENSION:960×550MM  
HOOK DISTANCE:580MM



JL10-B

HEAD&FOOT BOARD  
DIMENSION:1050×525MM  
HOOK DISTANCE:1002MM



JL10-D

HEAD&FOOT BOARD  
DIMENSION:930×525MM  
HOOK DISTANCE:605MM



JL10-F

HEAD&FOOT BOARD  
DIMENSION:920×535MM/920×450MM  
HOOK DISTANCE:902MM



JL10-H

HEAD&FOOT BOARD  
DIMENSION:970×520MM  
HOOK DISTANCE:605MM



**JL11-A**

SIDE RAILS  
DIMENSION: 1100×300MM



**JL11-B**

SIDE RAILS  
DIMENSION: 570×300MM



**JL11-C**

SIDE RAILS  
DIMENSION: 1100×300MM



**JL11-D**

SIDE RAILS  
DIMENSION: 570×300MM



**JL11-E**

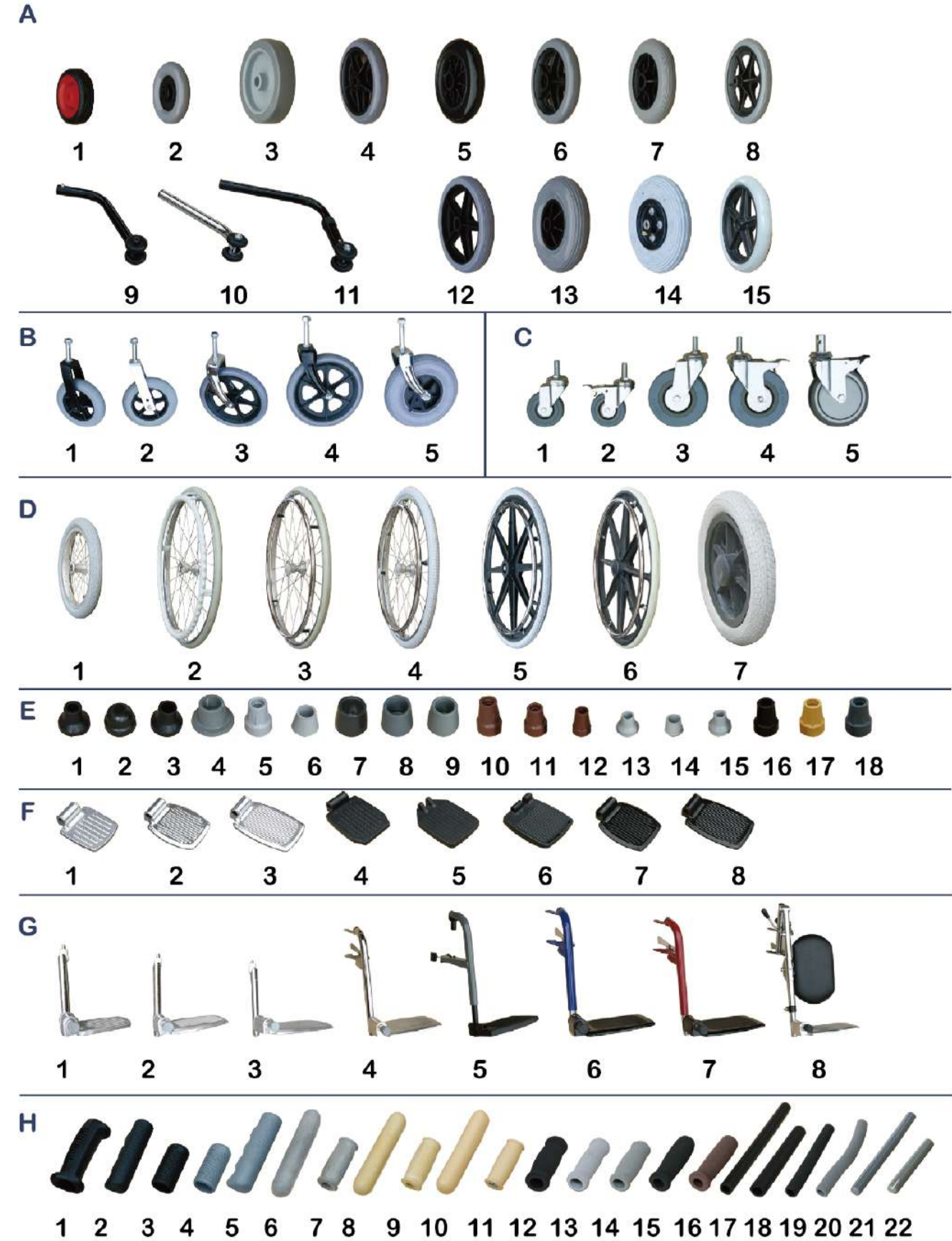
5ALUMINUM ALLOY SIDE RAILS  
DIMENSION: 1200×350MM

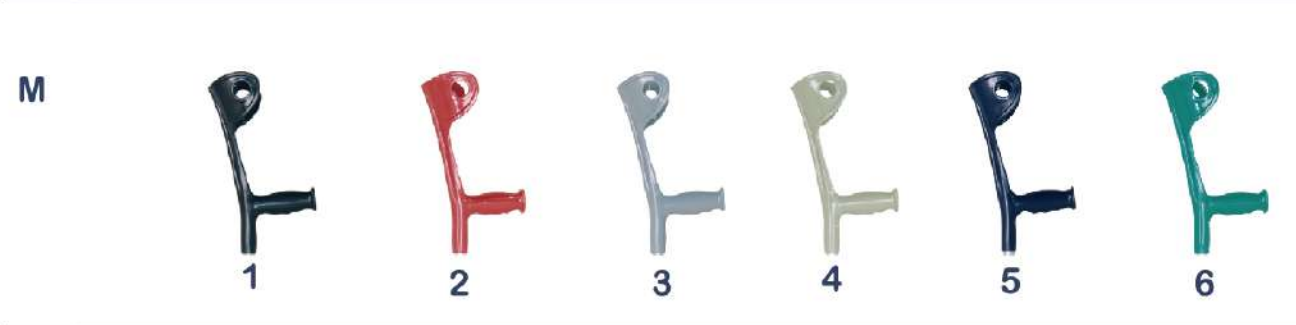
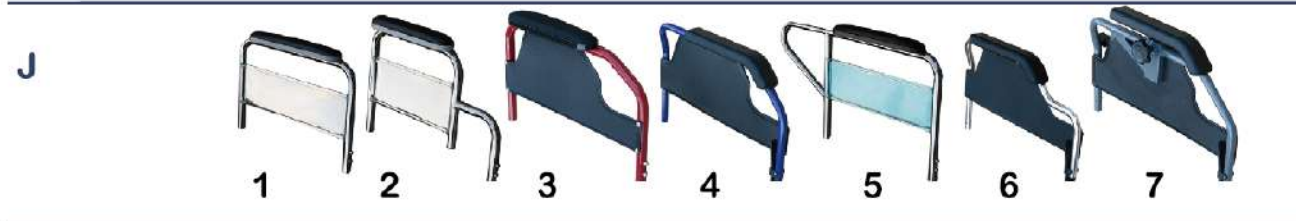


**JL11-F**

ALUMINUM ALLOY SIDE RAILS  
DIMENSION: 1200×350MM







- A.CASTOR**  
 (1)2.5"CASTOR  
 (2)3" PVC CASTOR  
 (3)4" CASTOR  
 (4)5" CASTOR  
 (5)5" CASTOR  
 (6)6" CASTOR  
 (7)6" CASTOR  
 (8)8" CASTOR  
 (9)ALU.ANTIWHEEL  
 (10)ANTIWHEEL  
 (11)ANTIWHEEL  
 (12)8" CASTOR  
 (13)200x50 CASTOR  
 (14)8" PNEUMATIC WHEEL  
 (15)8" PU CASTOR
- B.CASTOR WITH FORK**  
 (1)6" CASTOR  
 (2)6" CASTOR  
 (3)8" CASTOR  
 (4)8" CASTOR  
 (5)200x50 CASTOR
- C.CASTOR WITH FORK**  
 (1)3" CASTOR  
 (2)3" CASTOR WITH BRAKE  
 (3)5" CASTOR  
 (4)5" CASTOR WITH BRAKE  
 (5)5" CASTOR WITH BRAKE
- D.WHEEL**  
 (1)16" PNEUMATIC WHEEL  
 (2)22" SOLID WHEEL  
 (3)24" SOLID WHEEL  
 (4)24" PNEUMATIC WHEEL  
 (5)24" MAG PNEUMATIC WHEEL  
 (6)24" MAG SOLID WHEEL  
 (7)16" PNEUMATIC MAG WHEEL
- E.RUBBERTIP**  
 (1)FOR  $\phi$  13 TUBE  
 (2)WHEELCHAIR CASTOR DUST CAP  
 (3)FOR  $\phi$  16 TUBE  
 (4)FOR  $\phi$  28 TUBE  
 (5)FOR  $\phi$  19 TUBE  
 (6)FOR  $\phi$  22 TUBE  
 (7)FOR  $\phi$  28 TUBE  
 (8)FOR  $\phi$  28 TUBE  
 (9)FOR  $\phi$  25 TUBE  
 (10)FOR  $\phi$  22 TUBE  
 (11)FOR  $\phi$  19 TUBE  
 (12)FOR  $\phi$  16 TUBE  
 (13)FOR  $\phi$  16 TUBE  
 (14)FOR  $\phi$  19 TUBE  
 (15)FOR  $\phi$  13 TUBE  
 (16)FOR  $\phi$  22 TUBE  
 (17)FOR  $\phi$  22 TUBE  
 (18)FOR  $\phi$  22 TUBE
- F.FOOTPLATE**  
 (1)5.5" FOOTPLATE  
 (2)6" FOOTPLATE  
 (3)7" FOOTPLATE  
 (4)7" FOOTPLATE  
 (5)7" FOOTPLATE  
 (6)7" FOOTPLATE  
 (7)6" FOOTPLATE  
 (8)7" FOOTPLATE
- G.FOOTPLATE**  
 (1)5.5" FOOTPLATE  
 (2)6" FOOTPLATE  
 (3)7" FOOTPLATE  
 (4)7" FOOTPLATE  
 (5)8" FOOTPLATE  
 (6)7" FOOTPLATE  
 (7)7" FOOTPLATE  
 (8)7" ELEVATING FOOTPLATE
- H.GRIP**  
 (1)HANDGRIP  
 (2)HANDGRIP  
 (3)FOOTFRIP  
 (4)FOOTFRIP  
 (5)HANDGRIP  
 (6)FAM SUPPORT FOR CRUTCH  
 (7)FAM HANDLE FOR CRUTCH  
 (8)FAM SUPPORT FOR CRUTCH  
 (9)FAM HANDLE FOR CRUTCH  
 (10)TPR SUPPORT FOR CRUTCH  
 (11)TPR HANDLE FOR CRUTCH  
 (12)FOAM HANDLE FOR WALKER  
 (13)FOAM HANDLE FOR WALKER  
 (14)FOAM HANDLE FOR WALKER  
 (15)FOAM HANDLE FOR STICK  
 (16)FOAM HANDLE FOR STICK  
 (17)FOAM  
 (18)FOAM  
 (19)FOAM  
 (20)FOAM  
 (21)PVC  
 (22)PVC
- I.PAD**  
 (1)FABRIC (15)FABRIC  
 (2)FABRIC (16)PU  
 (3)FABRIC (17)PLASTIC  
 (4)FABRIC (18)PLASTIC  
 (5)FABRIC (19)PLASTIC  
 (6)LEATHER (20)PLASTIC  
 (7)LEATHER (21)PLASTIC  
 (8)LEATHER (22)PLASTIC  
 (9)LEATHER (23)PLASTIC  
 (10)LEATHER (24)PLASTIC  
 (11)LEATHER  
 (12)LEATHER  
 (13)LEATHER  
 (14)FABRIC
- J.ARMREST**  
 (1)DETACHABLE ARMREST  
 (2)DETACHABLE DESK ARMREST  
 (3)DETACHABLE INCLINED ARMREST  
 (4)FLIP-UP INCLINED ARMREST  
 (5)EXTRAL ENGTH DETACHABLE ARMREST  
 (6)FLIP-UP DESK ARMREST  
 (7)FLIP-UP HEIGHT-ADJUSTED INCLINED ARMREST
- K.METAL SERIES**  
 (1)BEARING  
 (2)BEARING  
 (3)BEARING  
 (4)BEARING  
 (5)STEEL LOCK  
 (6)STEEL LOCK  
 (7)ALUMINUM LOCK  
 (8)STEEL LOCK  
 (9)ALUMINUM LOCK  
 (10)STEEL LOCK  
 (11)ALUMINUM LOCK
- L.OTHER PARTS**  
 (1)COMMODE BUCKET  
 (2)PLASTIC COMMODE SEAT WITH COVER  
 (3)SQUARE COMMODE SEAT  
 (4)SQUARE COMMODE SEAT  
 (5)U SHAPE SEAT  
 (6)SEAT BELT  
 (7)PUMP
- M.HANDLE**  
 (1)BLACK HANDLE FOR  $\phi$  22 TUBE,  
 (2)RED HANDLE FOR  $\phi$  22 TUBE,  
 (3)GRAY HANDLE FOR  $\phi$  22 TUBE,  
 (4)FRUIT GREEN HANDLE FOR  $\phi$  22 TUBE,  
 (5)PURPLE HANDLE FOR  $\phi$  22 TUBE,  
 (6)GREEN HANDLE FOR  $\phi$  22 TUBE,
- N.RUBBER TIP**  
 (1)FOR  $\phi$  22 TUBE,  
 (1)FOR  $\phi$  16 TUBE,  
 (1)FOR  $\phi$  16 TUBE,  
 (1)FOR  $\phi$  13 TUBE,  
 (1)FOR  $\phi$  19 TUBE,  
 (6)CANE HOLDER ATTACHED
- O.HANDE**  
**P.RUBBER TIP**  
**Q.TUBE WITH WHEEL**  
 (1)4"WHEEL  $\phi$  28 TUBE,  
 (2)5"WHEEL  $\phi$  28 TUBE,  
 (3)FOR  $\phi$  28 TUBE,  
 (4)3"WHEEL  $\phi$  28 TUBE,  
 (5)5"WHEEL  $\phi$  28 TUBE,  
 (6)5"WHEEL  $\phi$  28 TUBE,  
 (7)3"WHEEL  $\phi$  28 TUBE,